



Fan Clutches

Fan clutches reduce the drain of engine power and improve the efficiency of a vehicle's cooling system. Fan clutches are fluid coupling devices which provide air flow through the radiator by using the water pump shaft to power a fan blade.

Fan clutch replacement may be required when any of the following problems exist:

- engine overheating
- silicon leaking from fan clutch unit
- fan spins with little or no resistance (free wheels)
- greasy build up at thermal spring or where shaft exits rear housing
- fan clutch vibrates on shaft or will not turn
- squealing noises from bearing

Note: the fan clutch should be checked for possible replacement when a water pump is installed.

Thermal Fan Clutches

Thermal fan clutches have a built-in thermostat coil spring that detects the air temperature passing through the radiator and air conditioning condenser. The fan clutch engages and provides air flow, only when cooling is needed. When disengaged, the fan clutch "powers down" reducing power drain and increasing fuel economy.

When engaged, the fan clutch spins at approximately 75% of the water pump speed.

The fan clutches disengage and spin at about 33% of the water pump's speed when cooling is not required.

This results in:

- more efficient use of engine power
- improved fuel economy
- less fan noise
- extended belt and water pump life



Non-Thermal Fan Clutches

Davies, Craig non-thermal fan clutches are constantly engaged and have a limited maximum spin rate. A non-thermal fan clutch achieves proper fan rotation speeds for necessary cooling; however, the constant engagement of the fan clutch decreases engine efficiency in comparison to a thermal fan clutch.

Import/Compact Fan Clutches

The slim-line design and the use of mounting studs (like OE) instead of bolts makes installation much easier. The lighter weight improves fuel economy and reduces stress on the water pump.

As with all Davies, Craig fan clutches, strict attention to quality standards is constantly maintained during manufacturing to provide better performance, easier installation and longer product life.

How to detect a faulty fan clutch

Please see "frequently-asked questions" on our website: www.daviescraig.com.au

Competitor Cross-Reference

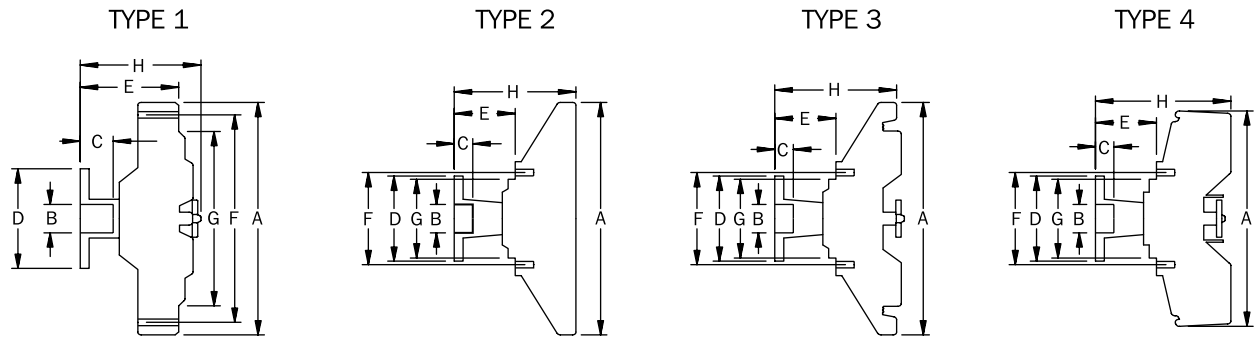
DAYCO PART #	DAVIES, CRAIG PART #	DAYCO PART #	DAVIES, CRAIG PART #	DAYCO PART #	DAVIES, CRAIG PART #
115011	2710	115247	5247	115-G607	2652
115014	5014	115499	5499	No cross reference	2557
115038	5038	115556	2556	No cross reference	2691
115049	2705	115558	2558	No cross reference	2731
115062	2712	115559	2559	No cross reference	2799
115063	2772	115561	2561	No cross reference	2803
115071	2709	115562	2562	No cross reference	2804
115072	5072	115591	2591	No cross reference	2805
115073	5073	115650	2650	No cross reference	2806
115081	2554	115655	2655	No cross reference	2807
115081	5106	115656	2656	No cross reference	2808
115082	5001	115659	2659	No cross reference	2809
115085	2653	115661	2661	No cross reference	5053
115087	2567	115663	5458	No cross reference	5102
115088	5231	115733	2733	No cross reference	5104
115092	2565	115747	2747	No cross reference	5107
115101	5101	115765	2765	No cross reference	5253
115103	5103	115774	2774	No cross reference	5265
115105	5105	115783	2783	No cross reference	5302
115106	5106	115796	2796	No cross reference	5408
115124	5124	115-050472	5301	No cross reference	5428
115203	5203	115-142419	2654	No cross reference	5459
115205	5205	115-61120	2657	No cross reference	5468

Source: Dayco Fan Clutch Catalogue



* CW = clockwise | CCW = counter clockwise when looking from the front of the vehicle

Fan Clutch – Mounting



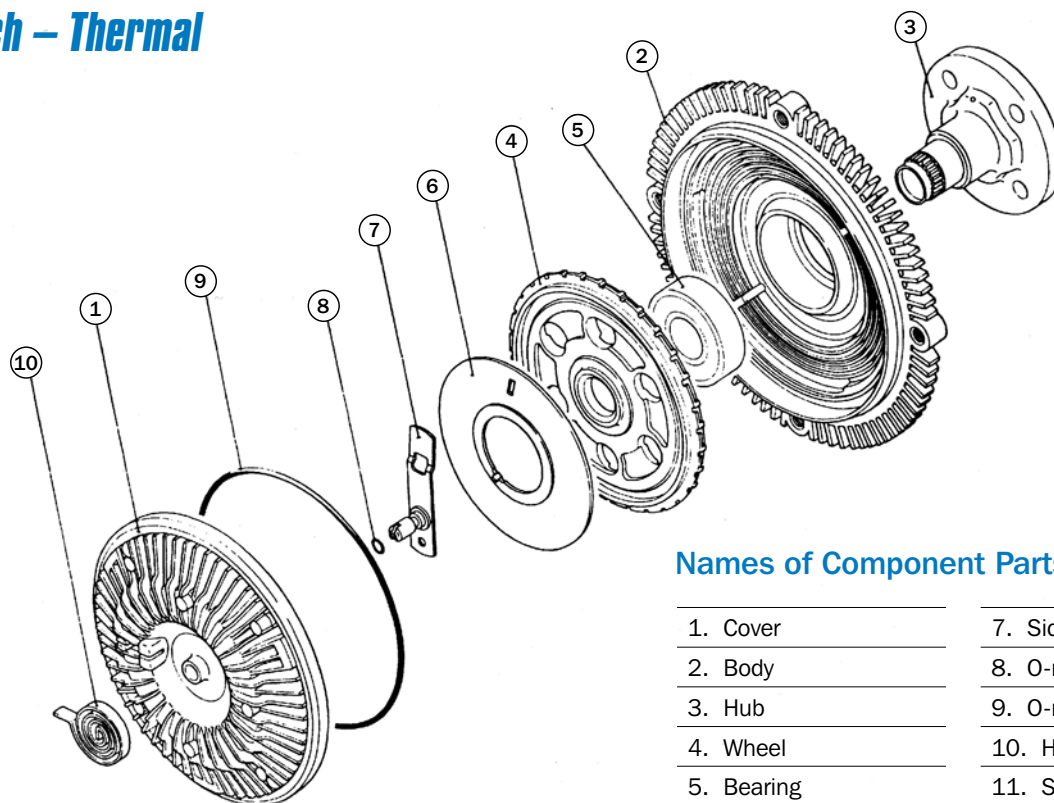
All dimensions in millimetres unless specified

Should a vehicle not appear in the Model Selection Guide (pages 44-56), the critical measurements are B, C, D and F.

THERMAL

PART NO.	TYPE	ROTATION (looking from front of vehicle)*	OVERALL DIAMETER	PILOT DIAMETER	PILOT DEPTH	FLANGE CIRCLE	FAN MOUNT HEIGHT	FAN BOLT CIRCLE	FAN MOUNT DIAMETER	OVERALL HEIGHT	BOLT/NUT TYPE (Fan to Clutch)
			A	B	C	D	E	F	G	H	
2554	1	CW	148.6	16.0/24.4	19.1	78.0	49.8	121.9	103.9	62.2	6mm x 1.0 nut
2556	1	CW	148.6	16.0/25.9	15.2	76.2	44.7	127.8	89.9	57.2	6mm x 1.0 bolt
2557	1	CW	148.6	16.0	19.1	65.0	61.0	124.0	111.1	79.2	6mm x 1.0 bolt
2558	1	CW	148.6	15.0/19.0	12.7	65.0	44.5	121.9	103.9	57.9	6mm x 1.0 nut
2559	1	CW	148.6	16.0	22.4	57.9	54.6	121.9	103.9	67.8	6mm x 1.0 nut
2560	1	CW	148.6	16.0/32.0	12.7	76.2	49.3	133.9	119.9	61.0	6mm x 1.0 nut
2561	1	CW	148.6	16.0/32.0	22.4	76.2	53.3	121.9	103.9	64.3	6mm x 1.0 nut
2562	1	CW	142.0	16.0/24.1	23.6	68.1	40.6 rear	129.5	111.8	68.6	6mm x 1.0 bolt
2565	1	CW	148.6	16.0	12.7	57.9	46.0	121.9	103.9	58.4	6mm x 1.0 nut
2567	1	CW	148.6	16.0	17.8	68.6	51.6	121.9	103.9	64.0	6mm x 1.0 nut
2583	1	CW	113.0	23.9	6.1	52.3	47.2	98.0	82.0	68.8	6mm x 1.0 nut
2591	1	CW	137.9	left hand	thread on	32.0mm A/F	35.1	124.0	111.1	51.0	6mm x 1.0 bolt
2650	1	CW	157.5	16.0/32.0	19.8	76.2	59.9	143.5	128.8	74.9	6mm x 1.0 bolt
2652	1	CW	168.9	17.5	14.0	76.2	54.4	153.2	136.9	70.1	6mm x 1.0 bolt
2653	1	CW	168.9	16.0/25.7	22.9	78.0	62.0	135.9	103.9	77.0	6mm x 1.0 nut
2654	1	CW	168.9	16.0/24.1	21.6	68.1	59.4	153.2	136.9	74.4	6mm x 1.0 bolt
2655	1	CW	168.9	16.0/25.1	24.6	106.2	59.4	135.9	103.9	74.4	6mm x 1.0 nut
2656	1	CCW	168.9	16.0/32.5	22.9	94.0	64.8	135.9	103.9	80.3	6mm x 1.0 nut
2657	1	CW	168.9	16.0/25.7	22.9	78.0	62.0	135.9	103.9	77.0	6mm x 1.0 nut
2659	1	CW	168.9	15.0	17.3	69.3	58.2	135.9	103.9	73.2	6mm x 1.0 nut
2661	1	CW	168.9	16.0	21.1	78.0	72.4	135.9	103.9	87.4	6mm x 1.0 nut
2664	1	CW	157.5	16.0/32.0	12.7	76.2	59.9	143.5	128.8	74.4	6mm x 1.0 bolt
2678	1	CCW	168.9	16.0	22.4	92.2	65.8	135.9	103.9	83.3	6mm x 1.0 nut
2680	1	CW	168.9	16.0	22.4	66.0	57.2	153.2	136.9	74.7	6mm x 1.0 nut
2691	1	CW	159.8	left hand	thread on	32.0mm A/F	36.6	146.8	135.0	49.0	6mm x 1.0 bolt
2705	2	CW	183.6	16.0	26.2	65.8	38.9	82.6	66.3	78.5	5/16-18 bolt
2710	2	CW	183.6	16.0/19.1	19.1	59.2	44.5	76.2	59.9	84.6	5/16-18 bolt
2712	2	CW	183.6	left hand	thread on	32.0mm A/F	26.2	76.2	60.2	66.3	5/16-18 bolt
2731	3	CW	183.6	16.0	26.2	61.2	57.2	82.6	66.3	101.5	5/16-18 bolt
2733	3	CCW	183.6	16.0	26.2	65.8	44.5	82.6	66.3	91.4	5/16-18 bolt
2737	3	CCW	182.9	16.0	26.2	66.0	38.9	82.6	66.5	81.3	5/16-18 nut
2747	3	CW	183.6	16.0/19.1	16.0	65.8	41.1	82.6	66.3	88.1	5/16-18 bolt
2765	2	CW	183.6	16.0/19.1	14.2	58.9	27.7	82.6	66.3	67.8	5/16-18 bolt
2771	3	CCW	182.9	right hand	thread on	36.0mm A/F	44.5	82.6	66.5	88.1	5/16-18 nut
2772	2	CW	183.6	left hand	thread on	32.0mm A/F	26.2	82.6	66.3	69.9	5/16-18 bolt
2774	3	CCW	183.6	right hand	thread on	37.0mm A/F	31.8	82.6	66.3	75.7	5/16-18 bolt
2783	4	CCW	163.8	16.0	16.0	65.5	45.7	82.6	66.3	98.8	5/16-18 bolt
2796	4	CCW	163.8	16.0	16.0	62.5	41.4	82.6	66.3	94.2	5/16-18 bolt
2799	4	CW	163.8	19.1	16.0	65.5	41.4	82.6	66.3	94.2	5/16-18 bolt
2803	-	CW	152.5	bush - 23.5	-	-	-	100.0	85.5	32.0	7mm bolt & nut
2804	3	CW	152.5	left hand	thread on	32.0mm A/F	22.0	100.0	85.5	62.0	5/16-18 bolt
2805	3	CW	167.5	left hand	thread on	32.0mm A/F	28.5	82.6	66.6	70.0	5/16-18 bolt
2806	3	CCW	167.5	right hand	thread on	37.0mm A/F	28.5	82.6	66.6	70.0	5/16-18 bolt
2807	3	CW	152.5	left hand	thread on	32.0mm A/F	22.0	100.0	85.5	55.5	6mm x 1.0 bolt
2808	3	CW	167.5	left hand	thread on	32.0mm A/F	28.5	82.6	66.6	70.0	5/16-18 bolt
2809	4	CCW	163.1	right hand	thread on	37.0mm A/F	27.5	82.6	66.6	80.5	5/16-18 bolt
5001	1	CW	147.0	17.2/31.4	23.9	76.8	45.3	133.5	120.0	58.9	6mm x 1.0 bolt

Fan Clutch – Thermal



Names of Component Parts

1. Cover	7. Side valve
2. Body	8. O-ring
3. Hub	9. O-ring
4. Wheel	10. Heat element
5. Bearing	11. Silicon oil *
6. Operation plate	(*not shown)

THERMAL

PART NO.	TYPE	ROTATION (looking from front of vehicle)*	OVERALL DIAMETER	PILOT DIAMETER	PILOT DEPTH	FLANGE CIRCLE	FAN MOUNT HEIGHT	FAN BOLT CIRCLE	FAN MOUNT DIAMETER	OVERALL HEIGHT	BOLT/NUT TYPE (Fan to Clutch)
			A	B	C	D	E	F	G	H	
5014	1	CW	160.0	16.0	22.2	78.5	67.0	136.0	104.0	81.8	8mm
5038	1	CW	155.9	16.0/31.4	19.3	77.2	45.3	143.0	129.4	61.7	6mm x 1.0 bolt
5053	1	CW	154.0	32.0	11.5	78.0	62.0	143.0	129.0	80.0	6mm x 1.0 bolt
5072	1	CW	147.0	16.0/31.4	19.3	77.2	45.3	133.5	120.0	64.0	6mm x 1.0 bolt
5073	1	CW	155.9	16.0/31.4	19.0	77.2	45.3	143.0	129.4	68.4	6mm x 1.0 bolt
5101	1	CW	136.0	16.0/taper	7.0/23.2	75.7	67.0	122.0	104.0	86.7	6mm x 1.0 nut
5102	1	CW	135.7	16.0/taper	9.9/23.2	75.7	61.1	122.0	104.0	80.6	6mm x 1.0 nut
5103	1	CW	136.0	16.0	22.5	58.0	53.0	122.0	104.0	73.0	6mm x 1.0 nut
5104	1	CW	136.0	16.0/taper	12.0/21.5	76.0	51.0	122.0	104.0	70.7	6mm x 1.0 nut
5105	1	CW	136.0	16.0/taper	9.0/23.0	76.6	49.0	122.0	104.0	68.5	6mm x 1.0 nut
5106	1	CW	136.0	16.0/taper	9.2/23.2	75.5	48.8	122.0	104.0	68.5	6mm x 1.0 nut
5107	1	CW	135.5	16.0/48.0	9.6/27.0	76.0	51.5	122.0	105.8	71.0	6mm x 1.0 nut
5124	1	CW	160.0	16.0/taper	11.0/21.5	77.5	69.3	136.0	104.0	83.5	6mm x 1.0 nut
5203	1	CW	147.0	15.6/31.4	10.9/18.7	77.0	45.3	133.5	120.0	58.4	6mm x 1.0 bolt
5205	1	CW	147.0	15.6/31.4	10.9/18.7	77.0	45.5	133.5	120.0	58.5	6mm x 1.0 bolt
5231	1	CW	147.0	13.7/24.8	7.4/16.6	66.0	50.0	133.5	120.0	63.2	6mm x 1.0 bolt
5247	1	CW	148.6	14.2/24.9	7.4/16.6	65.5	56.1	133.9	120.0	68.8	6mm x 1.0 bolt
5253	1	CW	147.4	15.6/31.4	10.9/18.7	77.0	45.6	133.5	120.0	58.5	6mm x 1.0 bolt
5265	1	CW	156.0	15.6/31.4	10.9/18.7	77.2	55.0	142.6	129.0	72.0	6mm x 1.0 bolt
5301	1	CW	170.3	24.0	12.0	70.0	61.5	152.5	137.1	75.4	6mm x 1.0 bolt
5302	1	CW	135.0	32.0	23.2	73.0	55.0	122.0	104.0	74.5	6mm x 1.0 bolt
5407	1	CW	127.5	16.0	18.0	58.0	46.7	112.0	89.8	70.0	6mm x 1.0 bolt
5410	1	CW	164.0	16.0	23.5	78.0	68.7	136.0	104.0	84.0	6mm x 1.0 bolt
5411	1	CW	164.0	16.0	23.5	78.0	67.0	136.0	104.0	82.3	6mm x 1.0 bolt
5412	1	CW	164.0	22.0	23.5	78.0	76.0	136.0	104.0	91.3	6mm x 1.0 bolt
5428	1	CW	134.0	16.0	19.0	70.0	59.0	122.0	104.0	80.2	6mm x 1.0 bolt
5458	1	CW	165.0	16.0	26.5	76.0	68.8	136.0	104.0	87.6	6mm x 1.0 bolt
5459	1	CW	168.9	18.0	9.6	147.0	37.3	153.0	136.9	54.0	6mm x 1.0 bolt
5499	1	CW	165.1	16.0/taper	9.9/26.2	76.0	77.3	136.0	104.0	95.1	6mm x 1.0 2olt

NON-THERMAL

2709	2	CW	184.2	left hand	thread on	32.0mm 1/f	25.9	82.6	66.3	67.1	5/16-18 bolt
5408	2	CW	120.5	16.0/31.7	11.5/23.5	71.0	45.9	104.2	89.8	61.2	6mm x 1.0 bolt
5468	2	CW	142.8	24.0	18.8	68.0	37.8	100.0	83.9	62.1	6mm x 1.0 bolt

FAN CLUTCHES - MODEL SELECTION GUIDE

Should a vehicle not appear in this Model Selection Guide, the critical measurements are B, C, D and F (see diagrams, page 42).

CAR MODEL	YEAR	ENGINE TYPE	ENGINE CAPACITY	APPLICATION DESCRIPTION	DAVIES, CRAIG PART #
AMC*					
* Call Davies, Craig for more information about Ambassador, Concord, Eagle, Gremlin, Hornet, Javelin, Matador, Pacer, Spirit & AMX models.					
BMW					
318i	85-91	L4	1.8	M10, E30	2591
	91-95	L4	1.8	M42, E36	2591
	96-98	L4	1.9	M44, E36	2591
318iS	91-95	L4	1.8	M42, E36	2591
	96-97	L4	1.9	M44, E36	2591
318Ti	96-00	L4	1.9	M44, E36	2591
320i	91-95	L6	2.0	M50, E36	2691
	00-05	L6	2.2	M54, E46	2691
323i	96-98	L6	2.5	M52, E36	2691
	99-00	L6	2.5	M52, E46	2691
323Ci	2000	L6	2.5	M52, E46	2691
325e	86-87	L6	2.7	M20, E30	2591
325i	88-91	L6	2.5	M20, E30	2591
	92-95	L6	2.5	M50, E36	2691
	00-05	L6	2.5	M54, E46	2691
325Ci	00-06	L6	2.5	M54, E46	2691
328i	95-00	L6	2.8	M52, E36	2691
	99-00	L6	2.8	M52, E46	2691
330i	00-05	L6	3.0	M54, E46	2691
520i	92-96	L6	2.0	M50, E34	2691
523i	96-00	L6	2.5	M52, E39	2691
525i	88-90	L6	2.5	M20, E34	2591
	91-95	L6	2.5	M50, E34	2691
	00-03	L6	2.5	M54, E39	2691
528e	85-88	L6	2.7	M20, E28	2591
528i	96-00	L6	2.8	M52, E39	2691
530i	00-01	L6	3.0	M54, E39	2691
535i	86-87	L6	3.4	M30, E28	2591
635csi	85-89	L6	3.5	M30, E32	2591
730i	90-92	L6	3.0	M30	2591
M3	94-96	L6	3.0	S50, E36	2691
	96-99	L6	3.2	S50B32, E36	2691
M5	87-88	L6	3.4	S38, E34	2591
M6	87-88	L6	3.4	S38, E24	2591
M Coupe / Roadster	98-00	L6	3.2		2691
X5	01-06	L6	3.0		2691
Z3	97-00	L6	2.8		2691
	97-99	L4	1.9	M44	2591
	01-02	L6	3.0		2691
BUICK*					
* Call Davies, Craig for more information about Century, Electra & Riviera models.					
CADILLAC*					
Brougham	82	V8	5.7 (350)	Diesel	2731
Calais	65-67	V8	7.0 (429)		2747
	68-74	V8	7.8 (472)		2747
	75-76	V8	8.0 (500)		2747
* Call Davies, Craig for more information about Brougham, DeVille, Eldorado, Fleetwood & Seville models.					
CHEVROLET*					
Chevrolet	67-81	V8		Small block 350 (most)	2705
	67-69	V8		Small block 327	2705
	67-81	V8		Small block 350 (most heavy duty)	2747
	70-76	V8		Big block (most)	2705
	70-76	V8		Big block (most heavy duty)	2747
	71-73	V8		Small block 307	2705
	76-85	V8		Small block 305	2705
* Call Davies, Craig for more information about Camaro, Caprice, Chevelle, Corvette, El Camino, Impala, Malibu, Monte Carlo, Monza, Nova and some GMC light truck models.					

FAN CLUTCHES - MODEL SELECTION GUIDE

Should a vehicle not appear in this Model Selection Guide, the critical measurements are B, C, D and F (see diagrams, page 42).

CAR MODEL	YEAR	ENGINE TYPE	ENGINE CAPACITY	APPLICATION DESCRIPTION	DAVIES, CRAIG PART #	
CHRYSLER						
Valiant	63-69	V8	4.5 (273)		2705	
	69-81	V8	5.2 (318)		2705	
	69-81	V8	5.6 (340)		2705	
	69-81	V8	5.9 (360)		2705	
DAIHATSU						
Delta	85-88	L4	2.0	3Y, V67, V68, V107	5103	
	84-89	L4	3.4	13B, V76, V78, V79	5105	
	81-90	L4	3.0	B, V90	5105	
Rocky	84-02	L4	2.0	3Y	5103	
FORD						
Bronco	81-85	V8	5.8		2710	
	81-85	V8	5.8	Air conditioning	2747	
	86	V8	5.0		2710	
	86	V8	5.0	Air conditioning	2747	
Corsair	89-92	L4	2.0	CA20ES	5231	
Cortina	80-82	L6	3.3	X Flow with air conditioning	2712	
	80-82	L6	4.1	X Flow with air conditioning	2712	
Courier	85-91	L4	2.0		2652	
	82-95	L4	2.2	Diesel	2562	
	87-89	L4	2.6	4G54	2565	
	87-90	L4	2.6	SG, HG	5407	
	90-00	L4	2.6	G6	2652	
Econovan	85-05	L4	2.0	FE	5468	
F100	65-66	L6	3.7 (223)		2710	
	67-74	L6	3.9 (240)		2710	
	71-76	V8	4.9 (302)	Excl. Pony option	2710	
	74-76	L6	4.1 (250)		2710	
	77-85	L6	4.1		2710	
	77-79	V8	4.9	Excl. Pony option	2710	
	78-84	V8	5.8		2710	
	78-84	V8	5.8	Air conditioning	2747	
	F150	87-90	V8	5.0		2733
		90-93	V8	5.8		2733
90-93		V8	5.8	Air conditioning 19" fan	2783	
F250	65-66	L6	3.7 (223)		2710	
	67-74	L6	3.9 (240)		2710	
	74-76	L6	4.1 (250)		2710	
	75-76	V8	4.9 (302)	Excl. Pony option	2710	
	77-85	L6	4.1		2710	
	77	V8	4.9	Excl. Pony option	2710	
	78-85	V8	5.8		2710	
	78-85	V8	5.8	Air conditioning	2747	
F350	67-74	L6	3.9 (240)		2710	
	74-76	L6	4.1 (250)		2710	
	75-76	V8	4.9 (302)	Excl. Pony option	2710	
	77-85	L6	4.1		2710	
	75-76	V8	4.9 (302)	Excl. Pony option	2710	
	77-85	L6	4.1		2710	
	77-86	V8	4.9	Excl. Pony option	2710	
	78-79	V8	5.8		2710	
	78-79	V8	5.8	Air conditioning	2747	
	87-89	V8	5.0		2733	
	87-89	V8	5.0	Air conditioning	2783	
	91-93	V8	5.8	Injected	2733	
	91-93	V8	5.8	Air conditioning, injected	2733	
Fairlane	69-70	V8	4.9 (302)	ZC	2710	
	69-70	V8	5.8 (351)	ZC	2710	
	71	L6	4.1 (250)	ZD	2712	
	71	V8	4.9 (302)	ZD	2710	
	71	V8	5.8 (351)	ZD	2710	
	72-73	L6	4.1 (250)	ZF	2712	

FAN CLUTCHES - MODEL SELECTION GUIDE

Should a vehicle not appear in this Model Selection Guide, the critical measurements are B, C, D and F (see diagrams, page 42).

CAR MODEL	YEAR	ENGINE TYPE	ENGINE CAPACITY	APPLICATION DESCRIPTION	DAVIES, CRAIG PART #	
Fairlane (ctd)	72-73	V8	4.9 (302)	ZF	2710	
	72-73	V8	5.8 (351)	ZF	2710	
	74-75	L6	4.1 (250)	ZG	2712	
	74-76	V8	4.9 (302)	ZG	2710	
	74-76	V8	5.8 (351)	ZG	2710	
	76-79	V8	4.9	ZH	2710	
	76-79	V8	5.8	ZH	2710	
	79-82	L6	4.1	ZJ	2712	
	79-82	V8	4.9	ZJ	2710	
	79-82	V8	5.8	ZJ	2710	
	82-83	L6	4.1 (250)	ZK	2712	
	83-84	L6	4.1 (250)	ZK Injected	2712	
	82	V8	4.9	ZK	2710	
	84-86	L6	4.1 (250)	ZL	2712	
	84-88	L6	4.1 (250)	ZL Injected	2712	
	88-89	L6	3.9	NA	2709	
	89-91	L6	3.9	NA II	2709	
	88-89	L6	3.9	NA 10-blade fan	2772	
	89-91	L6	3.9	NA II 10-blade fan	2772	
	91-92	L6	3.9	NC	2772	
	91-92	V8	5.0	NC	2774	
	92-94	L6	4.0	NC II	2772	
	92-94	V8	5.0	NC II	2774	
	94	L6	4.0	NF	2772	
	94	V8	5.0	NF	2774	
	95-96	V8	5.0	NF II	2774	
	97-98	V8	5.0	NL	2774	
	Falcon/Fairmont	72-73	L6	3.3 (200)	XA	2712
		72-73	L6	4.1 (250)	XA	2712
		72-73	V8	4.9 (302)	XA	2710
		72-73	V8	5.8 (351)	XA	2710
		74-76	L6	3.3 (200)	XB	2712
		74-76	L6	4.1 (250)	XB	2712
74-76		V8	4.9 (302)	XB	2710	
74-76		V8	5.8 (351)	XB	2710	
76-79		L6	3.3	XC Air conditioning	2712	
76-79		L6	4.1	XC Air conditioning	2712	
76-79		V8	4.9	XC	2710	
76-79		V8	5.8	XC	2710	
79-82		L6	3.3	XD Air conditioning	2712	
79-82		L6	4.1	XD Air conditioning	2712	
79-82		V8	4.9	XD	2710	
79-81		V8	5.8	XD	2710	
82-84		L6	3.3	XE Air conditioning	2712	
82-84		L6	4.1	XE Air conditioning	2712	
84		L6	4.1	XE Injected, air conditioning	2712	
82		V8	4.9	XE	2710	
82		V8	5.8	XE	2710	
84-87		L6	3.3	XF Air conditioning	2712	
84-93		L6	4.1	XF Air conditioning	2712	
84-87		L6	4.1	XF Injected, air conditioning	2712	
88-89		L6	3.2	EA	2709	
88-89		L6	3.9	EA 5-blade	2709	
88-89		L6	3.9	EA 10-blade	2772	
89		L6	3.9	EA Multipoint 5-blade	2709	
89		L6	3.9	EA Multipoint 10-blade	2772	
89-91		L6	3.9	EA II 5-blade	2709	
89-91		L6	3.9	EA II 10-blade	2772	
90-91		L6	3.9	EA II Multipoint 5-blade	2709	
90-91		L6	3.9	EA II Multipoint 10-blade	2772	
91-92	L6	3.9	EB 5-blade	2709		
91-92	L6	3.9	EB 10-blade	2772		

FAN CLUTCHES - MODEL SELECTION GUIDE

Should a vehicle not appear in this Model Selection Guide, the critical measurements are B, C, D and F (see diagrams, page 42).

CAR MODEL	YEAR	ENGINE TYPE	ENGINE CAPACITY	APPLICATION DESCRIPTION	DAVIES, CRAIG PART #
Falcon/Fairmont (ctd)	91-92	V8	5.0	EB	2774
	92-93	L6	4.0	EB II	2772
	92-93	V8	5.0	EB II	2774
	93-94	L6	4.0	ED	2772
	93-94	V8	5.0	ED	2774
	93-96	L6	4.0	XG 5-blade	2709
	93-96	L6	4.0	XG 10-blade	2772
	94-95	L6	4.0	EF	2772
	94-95	V8	5.0	EF	2774
	95-96	V8	5.0	EF II	2774
	96-98	V8	5.0	EL	2774
	97-99	V8	5.0	XH II	2774
	Falcon Utility	76-93	L6	3.3/4.1	X Flow XC, XD, XE, XF,
93-96		L6	4.0	OHC XG Longreach 5-blade fan	2709
93-96		L6	4.0	OHC XG Longreach 10-blade fan	2772
97-99		V8	5.0	XH II	2774
LTD	73-75	V8	5.8 (351)		2710
	75-76	V8	5.8 (351)		2710
	76-78	V8	5.8 (351)		2710
	78-79	V8	5.8 (351)		2710
	79-82	L6	4.1	FC	2712
	79-82	V8	5.8 (351)	FC	2710
	82-84	L6	4.1	FD	2712
	82-84	V8	4.9	FD	2710
	82-84	V8	5.8 (351)	FD	2710
	84-88	L6	4.1	FE	2712
	88-89	L6	3.9	DA 5-blade	2709
	88-89	L6	3.9	DA 10-blade	2772
	89-91	L6	3.9	DA II 5-blade	2709
	89-91	L6	3.9	DA II 10-blade	2772
	91-92	L6	3.9	DC	2772
	91-95	V8	5.0	DC	2774
	92-95	L6	4.0	DC	2772
	95	L6	4.0	DF	2772
	95	V8	5.0	DF	2774
	95-96	L6	4.0	DF II	2772
95-96	V8	5.0	DF II	2774	
96-99	V8	5.0	DL	2774	
Maverick	88-94	L6	4.2	-10/91	5038
	88-94	L6	4.2	10/91-2/94 TB42S	5072
	88-94	L6	4.2	2/94- TB42E	5073
	88-94	L6	4.2	Diesel	5205
Mustang	65-68	V8	4.7 (289)		2710
	68-73	V8	4.9 (302)		2710
	69-72	V8	5.8 (351)	Inc. Mach 1	2710
Raider	91-96	L4	2.6	G6	2652
	Spectron	83-84	L4	1.6	F8
84-86		L4	1.8	F8	5468
85-90		L4	2.0	F8	5468
HOLDEN					
Belmont	69	V8	4.2 (253)	HK	2705
	69-71	V8	4.2 (253)	HT	2705
	70-71	V8	5.0 (307)	HT	2705
	71-72	V8	5.0 (308)	HG	2705
	71-72	V8	4.2 (253)	HG	2705
	72-75	V8	4.2 (253)	HQ	2705
	72-75	V8	5.0 (308)	HQ	2705
	75-76	V8	4.2	HJ	2705
	76-78	V8	4.2	HX	2705
	78-80	V8	4.2	HZ	2705
	Brock	80-81	V8	5.0	VC HDT
82-84		V8	4.2	VH HDT	2705

FAN CLUTCHES - MODEL SELECTION GUIDE

Should a vehicle not appear in this Model Selection Guide, the critical measurements are B, C, D and F (see diagrams, page 42).

CAR MODEL	YEAR	ENGINE TYPE	ENGINE CAPACITY	APPLICATION DESCRIPTION	DAVIES, CRAIG PART #
Brock (ctd)	82-84	V8	5.0	VH HDT	2705
	84-86	V8	5.0	VK SS inc. Group 3	2705
	85-86	V8	4.9	VK SS	2705
	86-87	V8	4.9	VL SS	2705
	88	L6	3.0	VL	5001
	88	V8	5.0	VL	2705
Brougham	68-69	V8	5.0 (307)	HK	2705
	69-70	V8	5.0 (308)	HT	2705
	70-71	V8	5.0 (308)	HG	2705
Calais	84-86	L6	3.3	VK	2705
	84-86	V8	5.0	VK	2705
	86-88	L6	3.0	VL	5001
	86-88	L6	3.0	VL Turbo	5001
	86-88	V8	5.0	VL	2705
	89-91	V8	5.0	VN	2705
	91-92	V8	5.0	VP	2705
	92-93	V8	5.0	VP II	2705
	93-95	V8	5.0	VR	2705
	95	V8	5.0	VR II	2705
	95-96	V8	5.0	VS	2705
	96-97	V8	5.0	VS II	2705
	97-99	V8	5.0	VT	2705
	97-99	V8	5.7	VT II	2705
Caprice	75-76	V8	5.0	HJ	2705
	76-78	V8	5.0	HX	2705
	78-80	V8	5.0	HZ	2705
	80-85	V8	5.0	WB	2705
	90-91	V8	5.0	VQ	2705
	92-94	V8	5.0	VQ II	2705
	94-95	V8	5.0	VR	2705
	95-96	V8	5.0	VS	2705
	96-98	V8	5.0	VS II	2705
	98-99	V8	5.0	VS III	2705
	Commodore	78-80	L6	2.8	VB
78-80		L6	3.3	VB	2705
78-80		V8	4.2	VB	2705
78-80		V8	5.0	VB	2705
80-81		L4	1.9	VC	2705
80-81		L6	2.8	VC	2705
80-81		L6	3.3	VC	2705
80-81		V8	4.2	VC	2705
80-81		V8	5.0	VC	2705
81-84		L4	1.9	VH	2705
81-84		L6	2.8	VH	2705
81-84		L6	3.3	VH	2705
81-84		V8	4.2	VH	2705
81-84		V8	5.0	VH	2705
84-86		L6	3.3	VK	2705
84-86		L6	3.3	VK Injected	2705
84-86		V8	5.0	VK	2705
85-86		V8	4.9	VK	2705
86-88		L6	3.0	VL	5001
86-88		L6	3.0	VL Turbo	5001
86-87		V8	4.9	VL	2705
86-88		V8	5.0	VL	2705
89-91		V8	5.0	VN	2705
91-92		V8	5.0	VP	2705
92-93		V8	5.0	VP II	2705
93-94		V8	5.0	VR	2705
94-95	V8	5.0	VR II	2705	
95-96	V8	5.0	VS	2705	
96-98	V8	5.0	VS II	2705	

FAN CLUTCHES - MODEL SELECTION GUIDE

Should a vehicle not appear in this Model Selection Guide, the critical measurements are B, C, D and F (see diagrams, page 42).

CAR MODEL	YEAR	ENGINE TYPE	ENGINE CAPACITY	APPLICATION DESCRIPTION	DAVIES, CRAIG PART #	
Commodore (ctd)	97-99	V8	5.0	VT	2705	
	98-00	V8	5.0	VS III	2705	
Frontera	95-98	L4	2.0	M7	5302 or 2561	
	99-00	L4	2.2	MX	5302 or 2561	
Jackaroo	81-87	L4	1.9		5302 or 2561	
	82-83	L4	2.0		5302 or 2561	
	82-85	L4	2.2		2561 or 5302	
	85-92	L4	2.3	UBS16, 4ZD1 with front mount fan	2567	
	88-92	L4	2.6	UBS17, 4ZE1 with front mount fan	2567	
	92-98	L4	2.6	UBS25, 4ZE1	5428	
	92-98	V6	3.2	UBS25, 6VD-1	5458	
	99-00	V6	3.8	VT II Supercharged	5302 or 2561	
	99-00	V8	5.7	VT II	5302 or 2561	
	00-01	V6	3.8	VX	5302 or 2561	
	00-01	V6	3.8	VX Supercharged	2567	
	00-01	V8	5.7	VX	2567	
	01-02	V6	3.8	VX II	5428	
	01-02	V6	3.8	VX II Supercharged	5458	
Kingswood	68-69	V8	5.0 (308)	HK	2705	
	68-69	V8	5.0 (307)	HK	2705	
	69-70	V8	4.2 (253)	HT	2705	
	69-70	V8	5.0 (307)	HT	2705	
	70	V8	5.0 (308)	HT	2705	
	70-71	V8	4.2 (253)	HG	2705	
	70-71	V8	5.0 (307)	HG	2705	
	71	V8	5.0 (308)	HG	2705	
	71-75	V8	4.2 (253)	HQ	2705	
	71-75	V8	5.0 (308)	HQ	2705	
	75-76	V8	4.2	HJ	2705	
	75-76	V8	5.0	HJ	2705	
	76-77	V8	4.2	HX	2705	
	76-77	V8	5.0	HX	2705	
	77-81	V8	4.2	HZ	2705	
	77-81	V8	5.0	HZ	2705	
	81-85	V8	4.2	WB	2705	
	Monaro	68-69	V8	5.0 (307)	HK	2705
		68-69	V8	5.3 (327)	HK	2705
69-70		V8	4.2 (253)	HT	2705	
69-70		V8	5.7 (350)	HT	2705	
70		V8	5.0 (308)	HT	2705	
70-71		V8	4.2 (253)	HG	2705	
70-71		V8	5.0 (308)	HG	2705	
70-71		V8	5.7 (350)	HG	2705	
71-75		V8	4.2 (253)	HQ	2705	
71-75		V8	5.0 (308)	HQ	2705	
71-75		V8	5.7 (350)	HQ	2705	
75-76		V8	4.2	HJ	2705	
75-76		V8	5.0	HJ	2705	
76-77		V8	4.2	HX	2705	
76-77		V8	5.0	HX	2705	
77-78		V8	4.2	HZ	2705	
77-78		V8	5.0	HZ	2705	
Premier	68-69	V8	5.0 (307)	HK	2705	
	69-70	V8	4.2 (253)	HT	2705	
	70	V8	5.0 (308)	HT	2705	
	70-71	V8	4.2 (253)	HG	2705	
	70-71	V8	5.0 (308)	HG	2705	
	71-75	V8	4.2 (253)	HQ	2705	
	71-75	V8	5.0 (308)	HQ	2705	
	75-76	V8	4.2 (253)	HJ	2705	
	75-76	V8	5.0 (308)	HJ	2705	
76-77	V8	4.2 (253)	HX	2705		

FAN CLUTCHES - MODEL SELECTION GUIDE

Should a vehicle not appear in this Model Selection Guide, the critical measurements are B, C, D and F (see diagrams, page 42).

CAR MODEL	YEAR	ENGINE TYPE	ENGINE CAPACITY	APPLICATION DESCRIPTION	DAVIES, CRAIG PART #
Premier (ctd)	76-77	V8	5.0 (308)	HX	2705
	77-79	V8	4.2 (253)	HZ	2705
	77-79	V8	5.0 (308)	HZ	2705
Rodeo	81-88	L4	2.0	KBD26/41, C190	2561 or 5302
	83-85	L4	1.8	KB26, KB42, KB47	2561 or 5302
	81-87	L4	2.2	KBD27/43, UBS16, inc. Turbo C223	2561 or 5302
	85-88	L4	2.2	Diesel	2561 or 5302
	85-91	L4	2.3	KB28/KB49, 4ZDI	2567
	85-	L4	2.0	KB28	2561 or 5302
	88-98	L4	2.6	Injected HK, HM, 4ZEI, front mount fan	2567
	88-03	L4	2.8	Turbo Diesel HK, HM, HP, HW, 4JBI	5302 or 2561
	91-93	L4	2.3	TF, 4ZDI	2567
	98-03	V6	3.2	HW, 6VDI	5458
Statesman	98-	L4	2.6	TF, 4ZEI	5428
	71-75	V8	4.2 (253)	HQ	2705
	71-75	V8	5.0 (308)	HQ	2705
	71-75	V8	5.7 (350)	HQ	2705
	75-76	V8	5.0 (308)	HJ	2705
	76-77	V8	5.0 (308)	HX	2705
	77-79	V8	5.0 (308)	HZ	2705
	80-85	V8	5.0 (308)	WB	2705
	90-91	V8	5.0 (308)	VQ	2705
	91-94	V8	5.0 (308)	VQ II	2705
	94-95	V8	5.0 (308)	VR	2705
	95-96	V8	5.0 (308)	VS	2705
96-98	V8	5.0 (308)	VS II	2705	
98-99	V8	5.0 (308)	VS III	2705	
Sunbird	76-78	L4	1.9	LX	2705
	78-80	L4	1.9	UC	2705
Torana	74-76	L4	1.9	LH	2705
	74-76	L6	2.8	LH	2705
	74-76	L6	3.3	LH	2705
	74-76	V8	4.2	LH	2705
	74-76	V8	5.0	LH	2705
	76-78	L4	1.9	LX	2705
	76-78	L6	2.8	LX	2705
	76-78	L6	3.3	LX	2705
	76-78	V8	4.2	LX	2705
	76-78	V8	5.0	LX	2705
	78-79	L6	2.8	UC	2705
	78-79	L6	3.3	UC	2705
	Ute	90-00	V8	5.0	VG, VP, VR, VS, VU, 5000EFI
One Tonne	80-85	L6	3.3		2705
WB	80-85	L6	2.3 & 3.3		2705
	80-85	V8	4.2 & 5.1		2705
HSV					
Calais	88	V8	5.0		2705
Caprice	94-95	V8	5.0	VR	2705
	95-96	V8	5.0	VS	2705
	96-98	V8	5.0	VS II	2705
Clubsport	93-95	V8	5.0	VR	2705
	95-96	V8	5.0	VS	2705
	96-97	V8	5.0	VS II	2705
	97-99	V8	5.0	VT	2705
Commodore	88	V8	5.0	VL	2705
	88-91	V8	5.0	VN	2705
Grange	96-98	V8	5.0	VS II	2705
	96-98	V8	5.7	VS II	2705
	98-99	V8	5.0	VS III	2705
	98-99	V8	5.7	VS III	2705
GTS	92-94	V8	5.0	VP	2705
	94-95	V8	5.7	VR	2705

FAN CLUTCHES - MODEL SELECTION GUIDE

Should a vehicle not appear in this Model Selection Guide, the critical measurements are B, C, D and F (see diagrams, page 42).

CAR MODEL	YEAR	ENGINE TYPE	ENGINE CAPACITY	APPLICATION DESCRIPTION	DAVIES, CRAIG PART #
GTS (ctd)	95-96	V8	5.7	VS	2705
	96-97	V8	5.7	VS II	2705
	97-00	V8	5.7	VT	2705
Jackaroo	93	V6	3.2		5458
LS	91-92	V8	5.0	VG	2705
	92-93	V8	5.0	VP	2705
Maloo	90-92	V8	5.0	VG	2705
	92-93	V8	5.0	VP	2705
	93-95	V8	5.0	VR	2705
	95-96	V8	5.0	VS	2705
	96-98	V8	5.0	VS II	2705
	98-01	V8	5.0	VS III	2705
	95-96	V8	5.0	VS	2705
Manta	96-97	V8	5.0	VS II	2705
	97-99	V8	5.0	VT	2705
	92-93	V8	5.0	VP	2705
Senator	93	V8	5.0	VP II	2705
	93-95	V8	5.0	VR	2705
	94-95	V8	5.7	VR	2705
	95-96	V8	5.0	VS	2705
	95-96	V8	5.7	VS	2705
	96-97	V8	5.0	VS II	2705
	96-97	V8	5.7	VS II	2705
	97-99	V8	5.0	VT	2705
	97-99	V8	5.7	VT	2705
	97-99	V8	5.7	VT	2705
Sport	91-93	V8	5.0	VP	2705
	93	V8	5.0	VP II	2705
Statesman	90-92	V8	5.0	VQ	2705
	92-94	V8	5.0	VQ II	2705
	94-95	V8	5.0	VR	2705
	94-95	V8	5.7	VR	2705
	95-96	V8	5.0	VS	2705
	95-96	V8	5.7	VS	2705
SV Clubsport	90-91	V8	5.0	VN	2705
	91-93	V8	5.0	VP	2705
	93	V8	5.0	VP II	2705
SV91	91-93	V8	5.0	VP	2705
XU8	99	V8	5.0	VT	2705
JAGUAR					
XJ6	69-73	L6	4.2	Series 1	2705
	74-75	L6	4.2	Series 2	2705
	80-86	L6	4.2	Series 3	2765
	87-92	L6	3.6	XJ40	2765
	89-92	L6	4.0	XJ40	2765
	92-94	L6	3.2	XJ40	2765
	92-94	L6	4.0	XJ40	2765
XJS	92-96	L6	4.0		2765
JEEP					
Cherokee	80-85	V8	5.9		2705
	84-85	L6	4.2		2705
	94-01	L6	4.0		2705
	94-01	L6	4.0	Severe duty	2796
CJ 5	68-77	L6	3.8		2705
CJ 6	67-77	L6	3.8		2705
CJ 7	78-80	L6	3.8		2705
Grand Cherokee	91-93	L6	5.2		2774
	96-99	L6	4.0		2737
	96-99	L6	4.0	Maximum cooling	2796
J20	82-85	V8	5.9		2705
Wrangler	96-00	L6	4.0	TJ	2737
	00-07	L6	4.0	TJ	2771

FAN CLUTCHES - MODEL SELECTION GUIDE

Should a vehicle not appear in this Model Selection Guide, the critical measurements are B, C, D and F (see diagrams, page 42).

CAR MODEL	YEAR	ENGINE TYPE	ENGINE CAPACITY	APPLICATION DESCRIPTION	DAVIES, CRAIG PART #
LAND ROVER					
110	84-91	V8	3.5		2803
	84-91	V8	3.5	EFI	2805
Defender	94-07	L4	2.5	TD	2804
	07-	L4	2.4	TD	2804
Discovery	-94	V8	3.5	EFI Up to VIN LA (11-blade fan)	2805
	94-	V8	3.5	EFI VIN MA (7-blade fan)	2806
	91-93	L4	2.0	Tdi 2000 Discovery	2807
	92-99	L4	2.5	Tdi Discovery I	2804
	93-99	V8	3.9	Discovery I	2806
	94-98	L4	3.0	Tdi Discovery	2808
	99-04	L5	2.5	Tdi Discovery II	2804
	99-04	V8	4.0	Discovery II	2809
	Discovery 3	05-	V8	4.0	
Range Rover	72-86	V8	3.5	EFI/CARB (7-blade fan)	2803
	86-90	V8	3.5	EFI (11-blade fan)	2805
	90-95	V8	3.9	EFI (11-blade fan)	2805
	95-02	V8	4.0	EFI	2806
	95-02	V8	4.6	EFI P38A	2809
	02-05	L6	3.0	Tdi	2808
LEXUS					
LS400	90-00	V8	4.0	1UZFE	2656
LX470	98-07	V8	4.7	2UZFE	2678
MAZDA					
B2000	82-88	L4	2.0		2562
B2200	86-93	L4	2.2	Manual	2562
B2300	94-97	L4	2.3		2557
B2600	87-89	L4	2.6	Carb 4G54	2565
	90-91	L4	2.6	Injected	2652
Bravo	92-94	L4	2.2	Manual	2562
	92-06	L4	2.6	EFI G6	2652
E2000	84-06	L4	2.0	Petrol FE	5468
E2200	81-97	L4	2.2		2562
MPV	99-02	V6	2.5	G6	2652
T2600	85-88	L4	2.6	4G54	2565
MITSUBISHI					
L200	79-82	L4	2.0	MA	5407
	79-86	L4	1.6	MA, MB, MC, MD, 4G32	2654
	79-82	L4	2.0	MA Astron, 4G52	2565
	82-86	L4	2.0	MC, MD Sirius 4G63	2654
L300 Express	82-85	L4	1.8	SB, SC, SD, 4G62	2654
	86-91	L4	2.0	SF, SG, 4G63	2654
	86-94	L4	2.4	SF, SG, SH, SJ, 4G64	2559
Pajero	86-94	L4	2.5	Diesel SF, SG, SH, SJ, 4D56	2654
	83-86	L4	2.3	Diesel NA, NB, NC, 4D55	5301
	83-93	L4	2.6	Astron NA, NB, NC, ND, NE, NF, NG, NH, 4G54	2565
	83-93	L4	2.6	Astron NA, NB, NC, ND, NE, NF, NG, NH	5407
	86-93	L4	2.5	Diesel ND, NE, NF, NG, NH, 4D56	5301
	88-	V6	3.0	NF, NG, NH, NJ, NK inc EFI, 6G72	2654
	93-02	L4	2.8	Diesel NJ, NK, NL, NM inc Turbo, 4M40	5459
	93-02	V6	3.5	EFI NJ, NK, NL, NM, 6G74	2654
Sigma	77-85	L4	2.0	GE, GH, GJ, GK, GN, 4G52	2565
	77-87	L4	1.9 - 2.6	GE, GH, GJ, GK, GN	5407
	81-87	L4	2.6	GE, GH, GJ, GK, GN, 4G54	2565
Sigma Scorpion	78-85	L4	2.0	GE, GH, GJ	5407
	78-85	L4	2.6	GK, GL	5407
	78-79	L4	2.0	GE, 4G52	2565
	79-88	L4	2.6	GH, GJ, GK, GL, 4G54	2565
Starion	82-87	L4	2.0	Turbo 4G52	2565
	82-89	L4	2.6	Turbo 4G54	2565
	83-87	L4	2.6	4G63	2654
Starwagon	82-85	L4	1.8	SB, SC, SD, 4G62	2654

FAN CLUTCHES - MODEL SELECTION GUIDE

Should a vehicle not appear in this Model Selection Guide, the critical measurements are B, C, D and F (see diagrams, page 42).

CAR MODEL	YEAR	ENGINE TYPE	ENGINE CAPACITY	APPLICATION DESCRIPTION	DAVIES, CRAIG PART #
Starwagon (ctd)	86-03	L4	2.0	SF, SG, SH, SJ, 4G63	2654
	86-03	L4	2.4	SF,SG, SH, SJ, 4G64	2559
	86-	L4	2.5	SF, SG, SH, SJ, 4D56	2654
	94-96	V6	3.0	WA, 6G72	2654
Triton	86-96	L4	2.6	Astron ME, MF, MG, MH, MJ, 4G54	2559
	86-96	L4	2.5	Diesel ME, MF, MG, MH, MJ, 4D56	5301
	89-96	L4	2.6	ME, MF, MG, MH, MJ	5407
	90-06	V6	3.0	MH, MJ, MK inc EFI 6G72	2654
	96-06	L4	2.8	Diesel MK, 4M40	5459
NISSAN					
120Y 200	74-79	L4	1.2	B, KB, VB, A12, with air conditioning	5408
240C, 240K, 240Z, 2400	70-79	L6	2.4	230, 330, L24	5001
280C, 280Z, 280ZX	72-84	L6	2.8	430, S130, L28	5001
300C, 300ZX	83-89	V6	3.0	HZ31, VG30DE, VG30ET	5001
	89-96	V6	3.0	CZ32, GZ32, HZ32, VG30DE, VG30DT	2650
720	80-83	L4	2.2	Diesel C720, CG720, SD22	5253
	83-85	L4	2.2	Z22	5203
	80-85	L4	2.3	Diesel, C720,CG720, SD23	2560
	83-85	L4	2.5	Diesel	5253
Bluebird	85-86	L4	2.0	910, CA20ES, 1974cc	5231
Cabstar	82-87	L4	2.2	H40, Z22	5203
Civilian	91-99	L6	4.2		5205
Gazelle	84-89	L4	2.0	S12, CA20ES	5231
Infinity Q45	93-97	V8	4.5	VH45	2664
Navara	86-91	L4	2.1	D21, Z21, with air conditioning	5203
	86-97	L4	2.0	D21,Z20, with air conditioning	5203
	86-94	L4	2.4	D21, Z24	5001
	86-93	L4	2.5	Deisel D21, SD25	2560
	92-97	V6	3.0	D22,VG30E	2650
	97-	V6	3.0	VG30E	5231
	00-05	V6	3.0	VG30	5231
	04-05	V6	3.3	D22, VG33E	2664
	Nomad	86-92	L4	2.4	C22, Z24
Pathfinder	86-92	L4	2.4	NY21, Z24	5001
	92-95	V6	3.0	VG30	2650
	95-05	V6	3.3	VG33E	2664
Patrol	81-88	L6	2.8	MQ160 L28	5001
	88-97	L6	4.2	GQ TB42S 10/87-10/91	5038
	88-97	L6	4.2	GQ TB42S 10/91-02/94	5072
	88-97	L6	4.2	GQ TB42E EFI	5073
	88-06	L6	4.2	Diesel TD42 10/87-10/91 VRGY60	5205
	88-06	L6	4.2	Diesel TD42 10/87-10/91 VRY60	5205
	88-06	L6	4.2	Diesel TD42 09/88-08/93 Auto VRY60	5205
	88-06	L6	4.2	Diesel TD42 10/91-08/93 Man VRGY60	5001
	88-06	L6	4.2	Diesel TD42 10/91-08/93 VRY60	5001
	88-06	L6	4.2	Diesel TD42 08/93-97 GQ VRGY60	5205
	90-97	L6	3.0	Diesel GQ RB30S	5001
	95-00	L4	2.8	Turbo Diesel GQ RD28T	5053
	97-06	L6	4.2	Diesel GU TD42	5205
	97-01	L6	4.5	Petrol GU TB45E	5073
	Pintara	86-92	L4	2.0	R31, U12, CA20ES
Skyline	80-86	L6	2.4		5001
	86-90	L6	3.0	GM fan blade only	5001
	89-93	L6	2.0	R32 GTS RB20D/DT/DE	5265
	89-93	L6	2.5	R32 GTS RB25DE	5265
	93-94	L6	2.0	R33 GTS RB20DE	5265
	93-94	L6	2.5	R33 GTS RB25DE	5265
	98-	L6	2.5	K34 GTS RB25DET	5265
	Stanza	77-80	L4	1.4	A10, A14
Sunny	80-81	L4	1.4	B310, A15	5408
Utility	88-91	L6	4.1	Ford XFN	2712
Urvan	81-86	L4	2.0	E23, Z20 08/80-08/83	5408

FAN CLUTCHES - MODEL SELECTION GUIDE

Should a vehicle not appear in this Model Selection Guide, the critical measurements are B, C, D and F (see diagrams, page 42).

CAR MODEL	YEAR	ENGINE TYPE	ENGINE CAPACITY	APPLICATION DESCRIPTION	DAVIES, CRAIG PART #
	81-86	L4	2.0	E23, Z20 04/83-01/85	5203
	81-86	L4	2.0	E23, Z20 01/85-09/86	5001
	82	L4	2.2	Diesel E22, SD22	5203
	83-86	L4	2.3	Diesel E23, SD23	5203
	86-93	L4	2.4	E24, Z24	5247
Vanette	81-86	L4	1.4	C20, A14	5408
	83-86	L4	1.5	C20, A15	5408
	86-93	L4	2.4	C22, Z24 06/86-10/87	5001
	86-93	L4	2.0	C22, Z20	5247
	87-93	L4	2.4	C22, Z24 10/87-04/93	5247
PONTIAC					
Firebird	69-78	V8	6.6 (400)		2705
	70-78	V8	5.7 (350)		2705
	70-76	V8	7.5 (455)		2747
	79-85	V8	5 (305)		2705
	79-81	V8	6.6 (403)		2705
RANGE ROVER (see Land Rover)					
ROVER					
Rover	80-84	V8	3.5		2803
SUZUKI					
Grand Vitarra	98-05	V6	2.5		2680
Sierra	84-98	L4	1.3		2583
Vitarra	88-98	L4	1.6		2583
	99-03	L4	2.0		2680
	04-	V6	2.5		2680
TOYOTA					
4 Runner	84-89	L4	2.0	YN60, YN63, 3YC	5103
	84-89	L4	2.4	Diesel LN60, LN61, 2L	5101
	84-90	L4	2.2	YN60, YN63, 4Y	5103
	89-96	L4	2.4	YN63, RN130, 22R with air conditioning	5106
	89-96	L4	2.8	Diesel LN61, LN130, 3L	5124
	90-96	V6	3.0	VZN130, 3VZ-E	2657
Blizzard	82-83	L4	2.2	Diesel LD10, L	5101
	84-87	L4	2.4	Diesel LD20, LD21, 2L 05/84-08/87	5101
	87-92	L4	2.4	Diesel LD20, LD21, 2L 09/87-02/92	5101
Bundera	85-89	L4	2.4	RJ70, 22R no air conditioning	5106
	85-89	L4	2.8	RJ70, 3L	5124
	85-	L4	2.4	RJ70, 22R with air conditioning	5106
Celica	71-76	L4	1.6		2554
	76-85	L4	2.0	RA60, non-A/C 21RC	5106
	76-85	L4	2.0	RA63, 18R	5103
	76-85	L4	2.0	RA65, with A/C 22RE	5106
	79-85	L4	2.4	22R	2554
	84-85	L4	2.4		2554
Coaster	78-80	L4	2.0	RB11, 18R	5103
	78-96	L4	2.2	RU11, RU13 non-A/C 20R	5106
	78-96	L4	2.4	RB20, 22R	5106
	80-93	L6	3.4	Diesel BB10, BB20, BB21, 3B	5105
	82-84	L6	3.4	V47, V48, V50 with air conditioning, 3B	5105
	84-90	L6	4.0	Diesel HB30, HB36V, 2H	5499
	96-	L6	4.2	Diesel 1HZ	5499
Corolla	79	L4	1.6	2TC	2556
	80-82	L4	1.8	3TC	2556
	83-85	L4	1.6	AE71, 4AC	2556
	83-87	L4	1.6	Twin Cam GTS, 4AGEC	2556
Corona	74-81	L4	2.0	RT104, RT118, RT132, 18R	5103
	76-82	L4	2.2	20R	2554
	81-87	L4	2.0	RT133, no air conditioning 21R	5106
	81-87	L4	2.4	RT142, no air conditioning 22RE-C	5106
Corona Avanti	84-87	L4	2.4	RT142, no air conditioning	5106
Cressida	77-81	L6	2.6	4M, 4ME	2653
	80-85	L6	2.8	MX62, 5M, 5M-E	2653

FAN CLUTCHES - MODEL SELECTION GUIDE

Should a vehicle not appear in this Model Selection Guide, the critical measurements are B, C, D and F (see diagrams, page 42).

CAR MODEL	YEAR	ENGINE TYPE	ENGINE CAPACITY	APPLICATION DESCRIPTION	DAVIES, CRAIG PART #
Crown	85-88	L6	2.8	MX73, 5M-GEU	2653
	88-93	L6	3.0	7M-GEU	2653
	72-85	L6	2.6	MS112, MS123, 4M, 5M, 5ME	2653
	81-87	L6	2.8	MS123, 5M-GEU	2653
Delta	82-84	L6	3.4	V47, V48, V50, with air conditioning 3B	5105
Dyna	84-	L4	1.8	YH60, YH81, 2Y	5103
	84-	L4	2.0	YU62, YU80, 3Y	5103
	84-	L4	2.2	YH81, 4Y	5103
	85-	L6	3.0	Diesel BU60, BU61, BU77, BU81, 11B	5105
	85-	L6	3.4	Diesel BU62, BU64, BU77, BU82, BU85, BU86, 13B	5105
	85-	L6	3.4	Turbo Diesel BU90, BU95, 13B	5105
	85-	L6	3.4	BU93, BU98, 13B	5105
	85-	L6	3.7	Diesel BU88, BU91, 14B	5105
	86-	L4	2.4	Diesel LY60, LY61, LH80, 2L	5101
	88-95	L4	2.8	Diesel LY51, LY61, 3L	5124
	99-	L4	3.0	Diesel 5L	5124
Hiace	77-86	L4	2.0	RH22, RH32, RH42, 18R	5103
	81-89	L4	2.2	Diesel LH11, LH20, LH30, LH50, LH51, LH60, LH70, L	5101
	83-86	L4	1.8	YH50, YH51, 2YC	5103
	83-86	L4	2.0	YH53, YH61, 3YC	5103
	84-89	L4	2.4	Diesel LH60, LH61, LH70, LH71, 2L	5101
	86-89	L4	2.2	YH63, YH71, YH73, 4Y	5103
	89-05	L4	2.4	LH113R, Carb/EFI, 2RZ, 2RZ-E	5107
	89-00	L4	2.8	Diesel LH113R, 3L	5124
	00-	L4	3.0	Diesel LH113R, 5L	5124
Hiace SBV	95-03	L4	2.4		5107
Hilux	71-89	L4	1.6	RN33, RN35, RN43, RN45, 12R	5103
	79-88	L4	2.0	RN31, RN36, RN39, 18R	5103
	80-84	L4	2.2	Diesel LN30, LN36, LN40, LN46, L	5105
	80-85	L4	2.2	Diesel LN50, LN55, LN65, L	5101
	83-88	L4	1.6	YN55, YN56, 1YC	5103
	83-	L4	2.0	YN56, YN60, YN65, YN81, YN86, YN100, YN105, YN107, YN130G, 3Y	5103
	84-91	L4	2.4	Diesel LN41, LN51, LN56, LN60, LN61, LN65, 2L	5101
	84-94	L4	2.4	Diesel LN80, LN85, LN130, 2L	5124
	87-97	L4	1.8	YN51, YN56, YN57, YN58, YN80, RN85, 2Y	5103
	87-88	L4	2.2	YN65, YN67, YN85, 4Y	5103
	88-97	L4	2.4	RN85, RN90, RN105, RN110, w/- A/C 22R	2554
	88-97	L4	2.8	Diesel LN81, LN86, LN100, LN106, LN111, LN107, LN109, LN131V, 3L	5124
	97-02	L4	2.0	RZN EFI, 1RZ	5107
	97-08	L4	2.7	RZN149/169, 3RZ-FE	5410
	97-08	L4	3.0	Diesel 5L	5124
	01-05	L4	3.0	Diesel 5L, KZN165, 1KZTE	5412
Hilux 4 Runner (see 4 Runner)					
Landcruiser	74-81	L6	3.6	40 Series	2657
	75-85	L6	4.2	40 & 60 Series 2F	2657
	80	L6	3.6	Diesel 40 Series H	5014
	80-90	L4	3.4	Diesel 60 & 70 Series, 3B, 13BT T/D Auto	5014
	81-90	L6	3.4	Diesel 40 & 70 Series 3B, 13BT T/D Man	5102
	81-90	L6	4.0	Diesel 60 & 70 Series 2H, 12HT	5014
	82-90	L4	3.4	Diesel 70 Series 3B Ex T/D Auto	5102
	84-98	L6	4.0	60, 70 & 80 Series 3F, 3FE EFI	2657
	85-90	L4	2.4		5106
	85-96	L4	2.4	Turbo Diesel 70 Series 2LT	5101
	90-07	L6	4.2	Diesel	5499
	90-94	L5	3.5	Diesel 70 Series 1PZ	5499
	92-	L6	4.2	Diesel 70, 80 & 100 Series 1HZ, 1HDT	5499
	92-07	L6	4.5	70, 80 & 100 Series 1FZFE EFI	2661
	98-05	V8	4.7		2678
Landcruiser Prado	96-04	L4	2.7		5410
	96-03	V6	3.4		5411

FAN CLUTCHES - MODEL SELECTION GUIDE

Should a vehicle not appear in this Model Selection Guide, the critical measurements are B, C, D and F (see diagrams, page 42).

CAR MODEL	YEAR	ENGINE TYPE	ENGINE CAPACITY	APPLICATION DESCRIPTION	DAVIES, CRAIG PART #
	00-	L4	3.0	Diesel	5412
Liteace	82-92	L4	1.8	Diesel CM41, CM51, CM55, CM60, 1C	5104
	84-	L4	1.8	CM20, CM25, YM35, YM21, YM40, YR21, YR30, 2YC	5103
	85-	L4	1.5	KM27, KM30, KM31, KM36, KM51, YM21, YM30, YM31, YM65, YR25, 5K	5106
Liteace (ctd)	85-	L4	2.0	CM30, CM35, CM36, CM50, 3Y	5103 or 2559
	85-93	L4	2.0	Diesel CM30, CM31, CM40, CM52, CM61, CM65, CR21, CR27, CR28, CR30, CR37, 2C	5104
Prado (see Landcruiser Prado)					
Spacia	93-96	L4	2.2	YR22, 4Y-EC	5103
Sprinter	83-85	L4	1.6	AE86	2556
Supra	79-81	L6	2.6	4ME	2653
	80-86	L6	2.8	5ME, 5M-GEU	2653
	86-93	L6	3.0	7M-GEU inc. Turbo	2653
Stout	79-83	L4	2.2	YK110, 4Y	5103
T-18	79-83	L4	1.8	TE72, 3TC	5231
Tarago	83-89	L4	1.8	YR20, YR21, 2Y	5103 or 2559
	83-90	L4	2.0	YR22, YR31, 3Y	5103 or 2559
	83-96	L4	2.0	Diesel CR21, 2C	5104
	85-90	L4	2.2	YR22, YR31, 4Y	5103
	90-00	L4	2.4	AC22, AC23, 2TZ-FE EFI	2655
Townace	83-97	L4	2.0	YR21, YR30, 3Y	5103 or 2559
	96-03	L4	1.8	KR42(SBV), 7K-E EFI	5106
Toyo-Ace	82-83	L4	2.2	Diesel LY30, L	5101
	83-85	L4	2.4	Diesel LY31, 2L	5101
VOLVO					
240 Series	75	L4	2.0	B20F	2558
	75-85	L4	2.1	B21F, B21FT Turbo	2558
	81-88	L4	2.4	Diesel D24	2558
	81-93	L4	2.3	B23E, B23F, B230F	2558
260 Series	75-80	V6	2.7	B27F	2558
	80-81	L4	2.1	B21F	2558
	80-85	V6	2.8	B28F	2558
	81-82	L4	2.4	Diesel D24	2558
740 Series	85-92	L4	2.3	B230F, B230FT, B234F,	2558
	86	L4	2.4	Diesel D24T	2558
760 Series	83-86	L4	2.4	Diesel D24T	2558
	83-90	V6	2.8	B28F,	2558
	84-85	L4	2.3	B23FTI, B230F, B230FT Turbo	2558
	87-90	V6	2.8	B280F	2659
780 Series	86-91	L4	2.3	B230FT Turbo	2558
	86-91	V6	2.8	B280F	2659
940 Series	90-96	L4	2.3	B230FT Turbo	2558
	90-96	V6	2.8	B280F	2659