

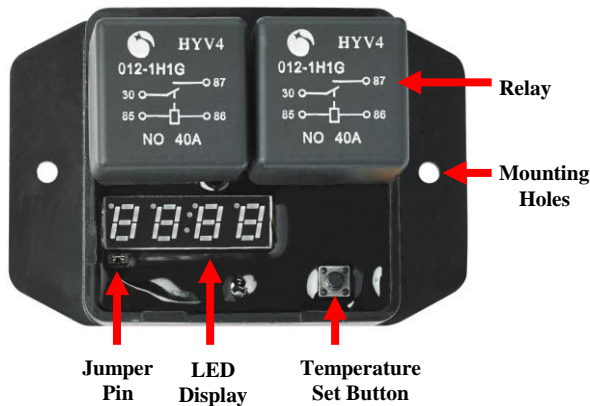
DIGITAL THERMATIC FAN SWITCH - PART # 0444

WARNING: THIS DIGITAL THERMATIC SWITCH IS FOR 12V USAGE ONLY!

INSTALLATION OF THERMAL SWITCH

1. The Switch should be mounted in the engine bay, adjacent to the radiator using the self-tapping screws provided. Please keep unit away from high heat sources, such as exhaust manifolds etc.

DIGITAL THERMATIC SWITCH

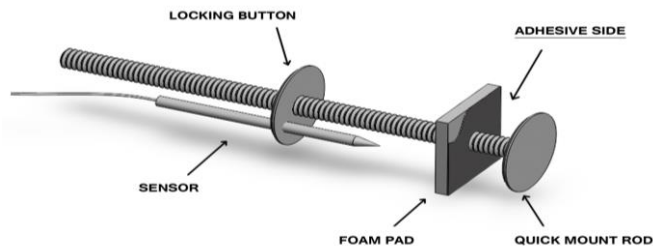


Kit Contents:

Controller x 1 – Mount Kit x 1 – Scotch Lock x 1 – Ring Terminal (Yellow) x 1 – Self Tap Screw x 2 – Connector (Yellow) x 1

2. Select the temperature sensor mounting location before installing the fan (if applicable). Temperature Sensor Probe installation requires access to both sides of the radiator. Remove the radiator and/or condenser, if necessary, to allow access to both sides.
3. For optimum performance, install the Temperature Sensor in the radiator fin section as close to the hot coolant inlet as possible. Select a position that will not interfere with the fan. The Temperature Sensor probe **MUST NOT** extend through the radiator core as this will affect the Switch's operation.

DO NOT INSTALL THE SENSOR IN THE RADIATOR HOSE, SERIOUS DAMAGE WILL RESULT!



4. Remove quick fit mount rod, button and foam pad and then remove backing paper from foam pad. Slide foam pad onto the quick mount rod so the pad adheres to the under face of the head of the quick mount rod.
5. Gently separate the radiator fins in area where you propose to mount/insert the temperature sensor probe, using the quick mount rod or similar so as not to damage the tubes. Insert the quick mount rod through the separated fins along with the Temperature Sensor probe (as illustrated). Push the locking button and Sensor onto the quick mount. Align and insert into the separated fins, pushing locking button onto the quick fit mount to sit flush with the face of the radiator. Cut off excess quick mount rod.

WIRING DIAGRAMS: Please refer to the wiring diagram overleaf for installation of this Thematic Switch. The wiring diagrams found in the Davies, Craig range of Thematic Fan Kits are for use with the Mechanical Thermal Switch only.

WARNING: Do not use the vehicle's engine management system or wiring connected to the management system as an ignition source as it may cause failure of the management system and/or the electrical system. The ignition source must be a steady positive supply of 12-14VDC.

SETTING THE ADJUSTABLE THERMATIC SWITCH

1. Set the air temperature to the maximum 110C by holding down the Temperature Set Button
2. Start the engine and allow the engine temperature to reach $\frac{3}{4}$ on the temperature gauge scale. This temperature should be more than the normal operating temperature of the engine or the fan (s) will run more than necessary
3. Immediately hold down the Temperature Set Button until the Fan #1 runs and then turns off noting the temp at which the fan turns off. Then reset the target temp to 1 degree (C) less than the turn off temp. The Fan #2 (if applicable) will start 10 seconds after Fan #1 runs.
4. The fans will operate until the air temperature is reduced by 1 degrees (C) from the set temperature.
5. After road testing, monitoring the engine temperature, if necessary, adjust the Set Temperature to suit your requirements.
6. To convert temperature reading from Centigrade to Fahrenheit, simply remove the plastic cover from the Jumper Pins by hand.

NOTE: Check that the fan(s) face the correct direction. On the hub of Davies, Craig fans there is a message "This side must face the front of the vehicle".

Check that the fan(s) rotate in the correct direction, which is in the direction of the arrow on the hub. If the fans rotate in the wrong direction swap the two leads to the fan motor.

Engine coolant under system pressure boils at 118C.

If you are in any doubt about any of these instructions consult your retailer or DAVIES, CRAIG direct on +61 (3) 9369-1234 or info@daviescraig.com.au

FAILURE TO COMPLY WITH THESE INSTRUCTIONS OR TAMPERING WITH THE PRODUCT MAY INVALIDATE THE MANUFACTURER'S WARRANTY.

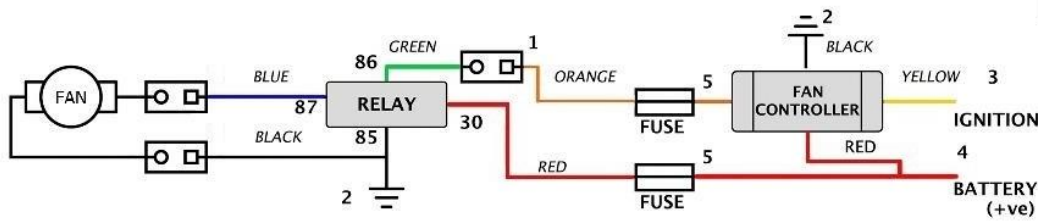
WARRANTY: Davies Craig Pty Ltd hereby guarantees this product for a period of 2 years from the date of purchase. DCPL shall replace your Electronic Thermal Switch, if a fault develops, providing such a fault is directly attributable to a defect in workmanship or materials used in the manufacture of the Electronic Thermal Switch. Labour and consequential costs are excluded.

Register Warranty at:
www.daviescraig.com.au

DAVIES, CRAIG PTY. LTD. THERMATIC FAN WIRING DIAGRAMS

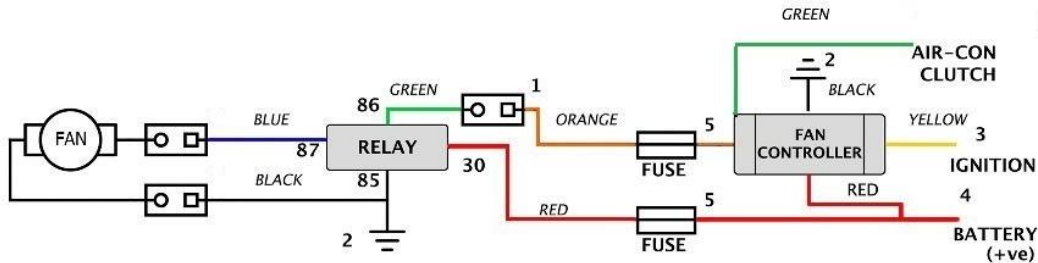
(FOR USE WITH THE ELECTRONIC THERMAL SWITCH ONLY)

WIRING DIAGRAMS 1-4 ARE FOR USE WITH A DAVIES CRAIG THERMATIC FAN ONLY



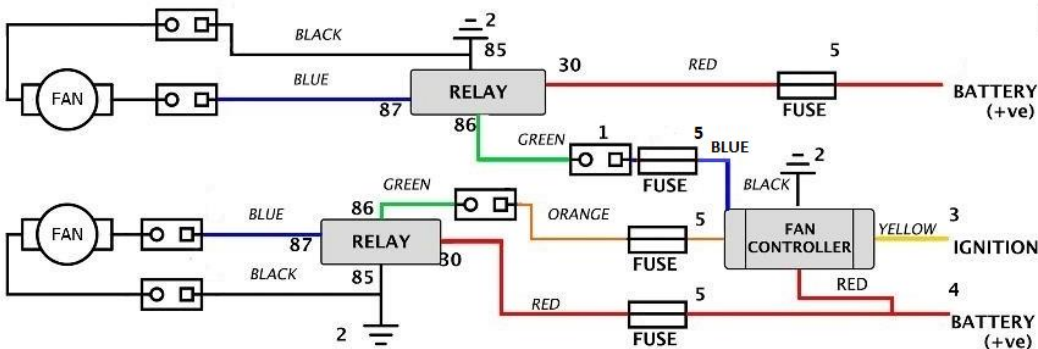
1 ONE FAN, CONDENSER ONLY

- 1 YELLOW CONNECTOR
 - 2 SELF TAPPER
 - 3 SCOTCHLOCK
 - 4 RING TERMINAL
 - 5 FUSE HOLDER & FUSE
- PURCHASE: 1 FAN KIT, 1 ELECTRONIC THERMAL SWITCH**



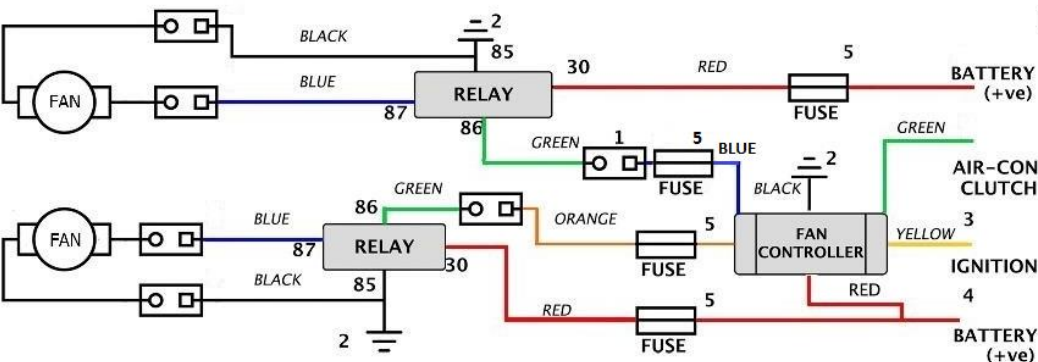
2 ONE FAN, CONDENSER AND / OR THERMATIC

- 1 YELLOW CONNECTOR
 - 2 SELF TAPPER
 - 3 SCOTCHLOCK
 - 4 RING TERMINAL
 - 5 FUSE HOLDER & FUSE
- PURCHASE: 1 FAN KIT, 1 ELECTRONIC THERMAL SWITCH**



3 TWIN FANS, THERMATIC ONLY

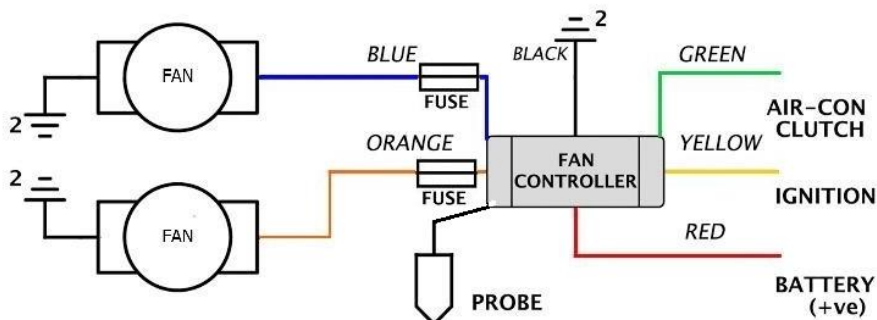
- 1 YELLOW CONNECTOR
 - 2 SELF TAPPER
 - 3 SCOTCHLOCK
 - 4 RING TERMINAL
 - 5 FUSE HOLDER & FUSE
- PURCHASE: 1 FAN KIT, 1 ELECTRONIC THERMAL SWITCH**



4 TWIN FAN, THERMATIC SINGLE FAN CONDENSER

- 1 YELLOW CONNECTOR
 - 2 SELF TAPPER
 - 3 SCOTCHLOCK
 - 4 RING TERMINAL
 - 5 FUSE HOLDER & FUSE
- PURCHASE: 1 FAN KIT, 1 ELECTRONIC THERMAL SWITCH**

IF YOU ARE USING THE THERMAL SWITCH WITHOUT A DAVIES CRAIG THERMATIC FAN KIT, FOLLOW THE DIAGRAM BELOW.



NOTE : FAN 1 IS THE ORANGE WIRE
FAN 2 IS THE BLUE WIRE

PLEASE CHECK THE FAN POLARITY BEFORE CONNECTING TO THE SYSTEM