

# Electric Booster Pump *EBP®25 25 litres/min*

A high-performance brushless motor, magnetic-drive pump. Compact and versatile 12V pump for a range of applications.

Davies, Craig developed the Electric Booster Pump, EBP®25, designed for use with water-to-air intercoolers.

This high-performance 25 litre per minute, 12 volt, brushless, magnetically-driven EBP has drawn high acclaim globally for its diversity of applications.



## Technical specifications

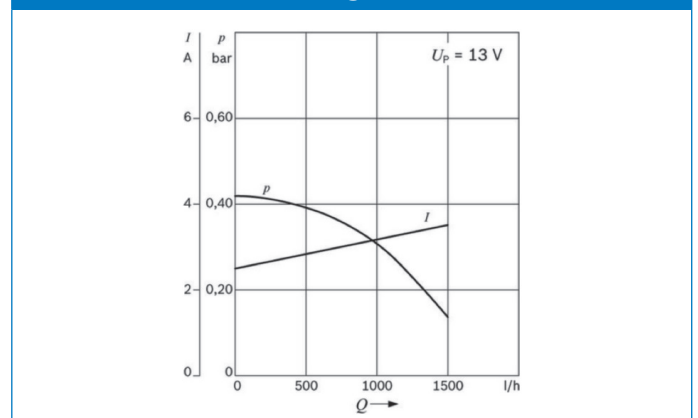
Motor	12V brushless
Operating voltage	9V DC to 15V DC
Maximum current	3.5A
Flow rate	25 L/min (6.6 US gal/min) @ 10 kPa
Operating temperature	-40° to 120°C (-40° to 248°F)
Pump design	Recirculating centrifugal
Pump weight	995 grams (2.19 lb)
Pump material	Nylon 66, 30% glass-filled
Burst pressure	250 kPa (36 psi) minimum
Fits hose size	19mm (¾")

## Kit contents

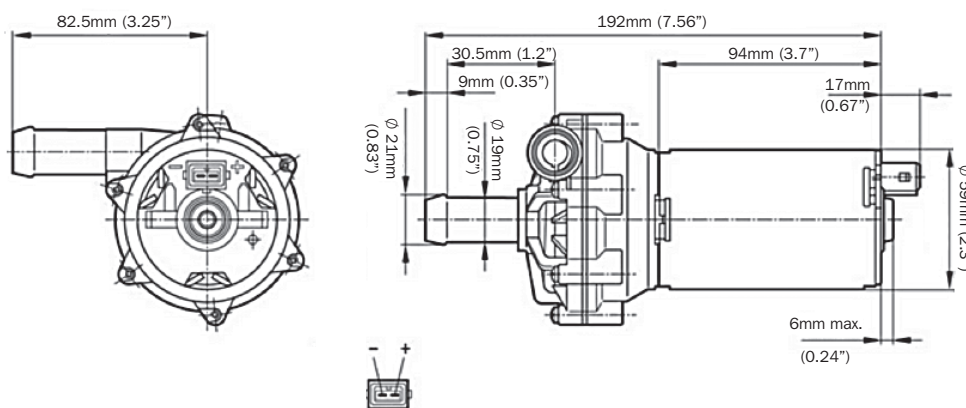
Part #9005 (Short)	Description	Qty
9105	Electric Booster Pump	1
9515	Wiring harness	1

The EBP® is a recirculating pump which is ideal for a 'closed system' similar to an automotive cooling system; it is not 'self-priming'.

## EBP®25 Performance Curve @ 13.0V Actual



## Dimensions



Questions? Please see "frequently-asked questions" on our website: [www.daviescraig.com.au](http://www.daviescraig.com.au)