

EWP® KIT INSTALLATION INSTRUCTIONS

EWP80, EWP115, EWP130, & EWP150 Kits

Congratulations on your purchase of the Davies, Craig EWP® Kit. Your EWP is designed to replace or complement the existing belt driven mechanical water pump.

PLEASE READ ALL THESE INSTRUCTIONS THOROUGHLY BEFORE YOU START WORK. DON'T RUSH - ENSURE YOU HAVE FULL UNDERSTANDING OF THE WORK AHEAD BEFORE YOU COMMENCE. ENSURE YOU HAVE ALL TOOLS AND COMPONENTS REQUIRED.

EWP KIT COMPONENTS:

- | | |
|--|--|
| ⊕ 1 - EWP assembly | ⊕ 2 - Hose Clamps |
| ⊕ 1 - Wiring Harness & relay | ⊕ 1 - Scotch Lock |
| ⊕ 2 - 3mm (1/8") Rubber Sleeves | ⊕ 1 - Ring Terminal |
| ⊕ 2 - O-Rings (EWP80 & EWP130 Only) | ⊕ 1 - Ring Terminal (Yellow) |
| ⊕ 1 - Straight Flange Fitting (EWP80 & EWP130 Only) | ⊕ 1 - Self-Tapping Screw |
| ⊕ 1 - Elbow Flange Fitting (EWP80 & EWP130 Only) | ⊕ 12 - nuts/Bolts (for flange fittings) |

EWP® INSTALLATION OPTIONS

NOTE: Before the EWP® is installed it is recommended that the cooling system is properly flushed.

INSTALLING AN EWP® AS AN AUXILIARY PUMP

- ⊕ Leaving the mechanical water pump in place, install the EWP® into the bottom radiator hose.
- ⊕ Remove the thermostat and drill two approx. 3mm (1/8") holes in the thermostat plate to allow some coolant circulation. Re-install ensuring that the thermostat housing is clean and a new gasket is used if required.

EWP® INSTALLATION – DISABLING MECHANICAL WATER PUMP

- ⊕ Leaving the mechanical water pump in place, install the EWP® into the bottom radiator hose and remove the manufacturer's thermostat.
- ⊕ You will need to bypass the water pump pulley by installing an appropriate length belt (not supplied). This method makes for an easy installation.
- ⊕ If running the pump continuously remove the thermostat and drill two approx. 3mm (1/8") holes in the thermostat plate to allow some coolant circulation. Re-install ensuring that the thermostat housing is clean and a new gasket is used if required.

In both these cases, the EWP will pump past the impeller of the mechanical water pump.

In most cases the weight of the EWP® will be adequately supported by the radiator hose. Where mounting is required, the EWP® must be soft mounted to protect against vibration. For the EWP115, EWP130 and EWP150 Part #8700 Mounting bracket is recommended.

DISENGAGED MECHANICAL WATER PUMP (RECOMMENDED)

Note: recommended when using the LCD EWP® / Fan Digital Controller.

- Remove the mechanical water pump and remove the thermostat.
- Then remove the impeller from the mechanical pump shaft. Retain the mechanical water pump using the pump pulley as an idler to avoid re-routing the drive belt.
- Block any bypass passages and re-install the disengaged water pump ensuring that all gasket surfaces are clean and the new gaskets are properly fitted to prevent leaks.
- Install the EWP® into the bottom radiator hose.

REMOVED MECHANICAL WATER PUMP (IDEAL)

Note: recommended when using the LCD EWP® / Fan Digital Controller.

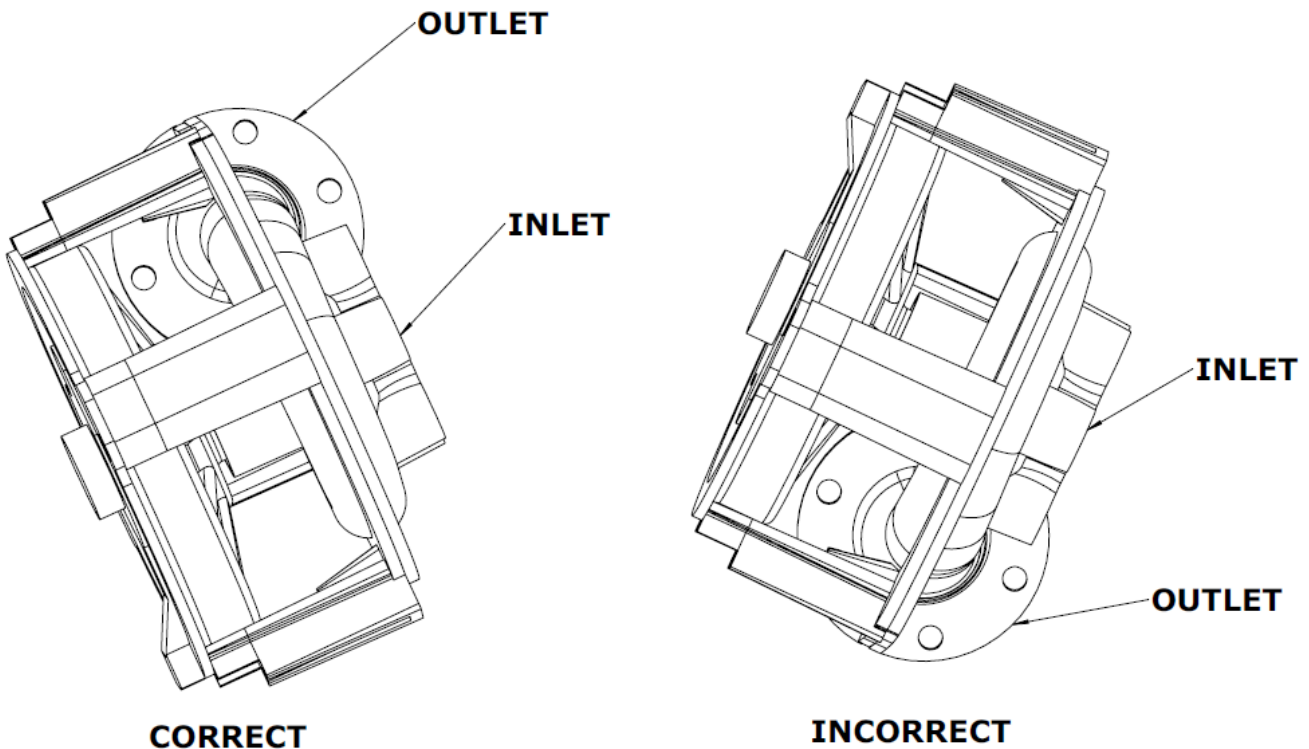
- Remove the mechanical water pump and thermostat from the engine.
- Install a Davies Craig EWP Header Adaptor or blanking plate (not supplied). Ensuring the gasket surfaces are clean and the appropriate gasket or sealant is used to prevent leaks.
- Install the EWP® into the bottom radiator hose. This method will require you to modify or replace the standard radiator hose.
- Install an appropriately length belt (not supplied) to drive the accessories.

EWP® AIR BLEEDING METHODS

Note: The EWP® is not a 'self-priming' water pump.

FOR THE EWP80

- Ensure the EWP80 is orientated correctly as shown below before continuing.
 - This orientation is a temporary requirement for the purpose of bleeding the pump and ensuring there is no air trapped within the pump housing. The pump can be set-up in another orientation upon completion of the bleeding procedure.



EWP80 PUMP ORIENTATION DIAGRAM

FOR ALL EWPS

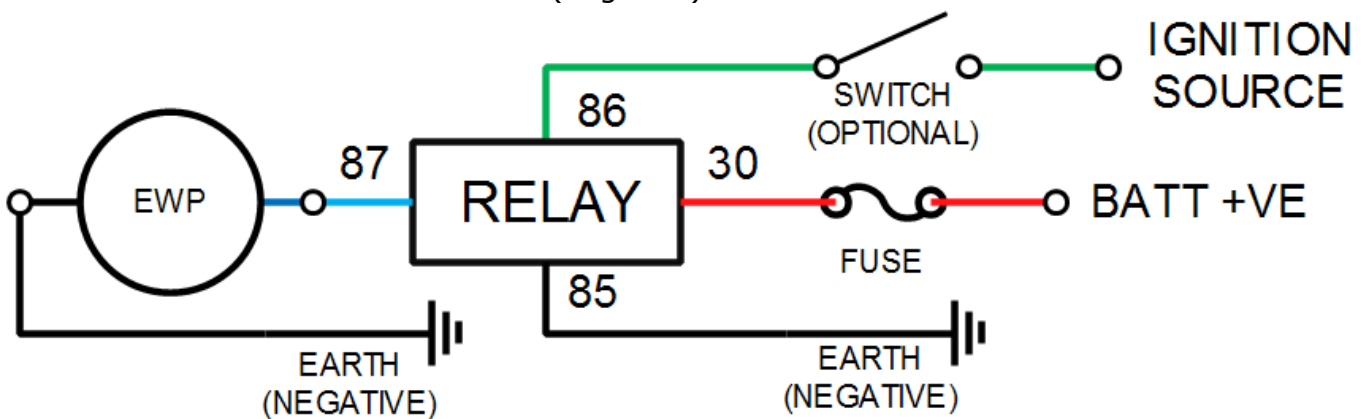
- Fill the engine cooling system with coolant.
- Turn heater on full.
- With the radiator cap off, hot wire the EWP® directly to the battery
- Air trapped in the cooling system will move to the top of the radiator.
- Top up the radiator with coolant. start the engine and let it idle.
- With the EWP® and engine running, continue to top up the radiator until all air is eliminated.
- Turn off engine, replace the radiator cap and proceed to wiring.

EWP WIRING

IMPORTANT: The black wire of the EWP motor must go to earth (negative)

Wiring for Continuous Running

- Using the provided wiring harness connect the **GREEN** wire to the ignition
 - You may use a manual or thermal switch on the ignition wire to allow for added control over the pump.
- Connect the "T-connector" of the EWP to the "T-connector" on the **BLUE** and **BLACK** wires on the wiring harness.
- Connect the **BLACK** wires to earth (negative).



Wiring with LCD EWP/Fan Digital Controller, #8001 (Recommended)

- Install Controller as per instructions and plug the EWP into the "T-connector" on the **BLUE** and **BLACK** wire on the controller's loom.

Wiring for Control by Thematic® switch (Recommended for auxiliary pump applications only)

Davies, Craig has a full range of Thematic® Switches available in both mechanical (#0401, #0404 & #0400) and Digital Thematic® Switches (#0444 & #0500).

- Wire the pump as directed by the wiring instructions provided with the Thematic® Switch.
 - All Davies, Craig Thematic® Switches are **ON/OFF**.
 - To allow EWP run on after hot shutdown, wire the Switch direct to the battery.

IN ALL CASES, ONCE EWP INSTALLATION AND WIRING IS COMPLETE;

- Road test the vehicle and allow the engine to reach normal operating temperature.
- Check coolant level again once engine has cooled sufficiently. Top up if required.

INSTALLATION RECOMMENDATIONS

- ⊕ It is highly recommended the EWP® is operated for at least 5 minutes constant running every month. This will minimise the build-up of any sediment in the EWP® and also lubricate all parts within the pump.
- ⊕ For some vehicles, cold climates or when running the EWP continuously you may require the use of a thermostat to help control the coolant temperature. In these cases, you will need to drill 2 x 3mm (1/8") holes in the thermostat plate.

WARNINGS

- ⊕ Do not operate your EWP® dry as seal damage may occur and your warranty may be jeopardised.
- ⊕ Waterless coolants increase the load on an EWP® and may reduce pump life.
- ⊕ Do not use 'stop leak' or similar leak or crack repair additives as pump damage may occur and your warranty will be jeopardised.
- ⊕ The EWP® must be completely full of coolant at all times to achieve the life and performance expectations of your EWP®.
- ⊕ The EWP® impeller tip clearance has been designed to achieve maximum efficiency and is therefore very close to the housing. When new and bedding in, the impeller may touch the internal wall of the EWP® housing causing a slight noise. This sound will cease within a very short time after the impeller has bedded in.
- ⊕ The installation of an EWP® may affect coolant flow through auxiliary coolant loops. This change in flow may affect the performance of auxiliary systems like the heater, LPG converter and Turbo cooling. In these cases, you may require an Electric Booster Pump (EBP) to provide constant flow to these systems.
- ⊕ **DO NOT ATTEMPT to tamper with the EWP including loosening or removing any bolts/screws as this will void any warranty. If you suspect there is a fault or defective product please contact Davies, Craig IMMEDIATELY.**

These installation instructions will suit most applications but there are circumstances surrounding some engine designs, environments, and the nature of the system involved, which may require other installation arrangements not outlined here. Frequently Asked Questions (FAQ) are listed on our website www.daviescraig.com.au. Emails can be directed to info@daviescraig.com.au or Telephone +61 (0) 3 9369 1234 during business hours.

WARRANTY

Davies, Craig Pty Ltd warrants for a period of two years or 2000 hours continuous running (whichever is the lesser) from the date of purchase. Davies, Craig will carry out, free of cost, any repairs that are reasonably necessary to correct any fault in the operation of your Davies, Craig product provided that such a fault is directly attributable to a defect in the workmanship or materials used in the manufacture of the part(s). This warranty is void if the product is misused, altered, tampered with or is installed or used in a manner that is inconsistent with Davies, Craig's written recommendations and/or installation instructions. Labour and consequential costs are excluded. **DAVIES, CRAIG PTY. LTD.**

Register your warranty at: daviescraig.com.au under the support tab.