

THERMATIC® FAN INSTALLATION INSTRUCTIONS

Suitable for Davies Craig Range of Brushed Motor Fans (12V & 24V)

Digital Instructions: <https://daviescraig.com.au/instructions>

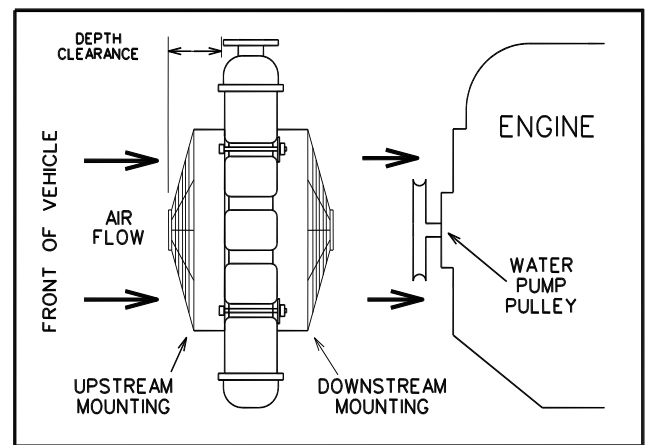
BEFORE COMMENCING INSTALLATION, PLEASE READ THESE INSTRUCTIONS THOROUGHLY. FAILURE TO COMPLY MAY VOID YOUR WARRANTY

All Davies, Craig Thermatic® Fans include 4 mounting feet. All Davies, Craig Thermatic® Fans are designed for both **UPSTREAM** and **DOWNSTREAM** applications.

They are factory assembled to be mounted Upstream.

CHANGING AIRFLOW DIRECTION

- ➊ Remove the clip or undo the hex nut, depending on model, from the centre of the fan blade.
- ➋ Remove the fan blade from the motor shaft, turn it over and replace. In every case the instruction, printed on the blade, 'This side must face front of vehicle' and 'this side must face rear of vehicle' must be followed.
- ➌ Re-secure the fan blade.
 - ➍ For 14" and 16" fans ensure the washer is located underneath the clip
 - ➎ For 8", 9", 10" and 12" fans ensure the blade spacer remains in place with smaller diameter is towards the motor and larger diameter towards the blade.
- ➏ **Ensure the hex nut is tight, if possible, torque the Hex Nut to 2.7 N.m (2 ft.lbf).**
- ➐ Before mounting the fan to the face of the radiator/condenser, note the direction of the arrow on the fan blade. The fan must rotate in the indicated direction.

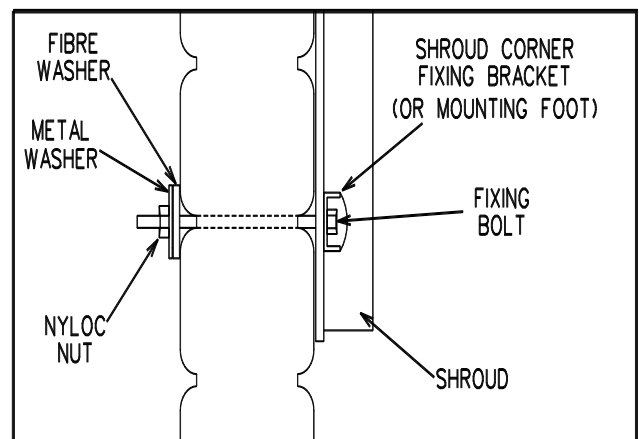


MOUNTING INSTRUCTIONS

When mounting the fan, take care not to cause any distortion to the shroud.

NOTE: The small holes around the perimeter of the fan are intended for use with the Quick fit kit, not bolts. When using bolts, it is recommended to use the mounting feet (supplied) or M6 nuts inserted into the mounting feet slots.

- ➊ Take the 4 mounting feet supplied and install them onto the Fan Shroud in the desired locations around the perimeter of the shroud.
- ➋ Position the Fan against the radiator core or air conditioning condenser core.
- ➌ If using Parts #1000, #1001, #1002 or #1003 use the provided hardware to mount the fan to the core as per the instructions provided. Otherwise,
 - ➍ Quick Fit Kit Part #0579 or Mounting Hardware Part #0578 can be purchased separately.
- ➎ When installing the fan to the core don't use excessive force as this can result in damage to the core.



Your Fan MUST rotate in the direction indicated by the arrow and the instruction on the hub of the fan blade "This side must face front of vehicle" must be complied with in all cases.

CONTROLLING THE THERMATIC® FAN

The Thematic® fan can be wired to run continuously or manually switched on and off. For optimal control, Davies, Craig recommends the use of a Thermal Fan Switch.

Davies, Craig has a full range of Thematic® Fan Switches available in mechanical (#0401, #0404 & #0400), Digital Thematic® Fan Switches (#0480, #0481, #0482, #0485, #0488 & #0500) and Variable Speed Controller Thematic® Fan & EWP (#0555 & #0556). (Sold separately)



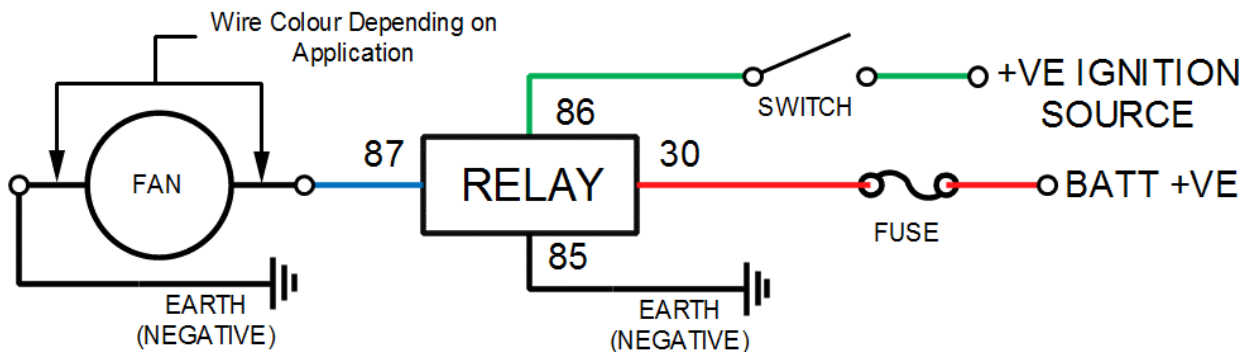
WIRING INSTRUCTIONS

It's recommended you disconnect the battery before installing your fan.

When using a Thematic® Switch, follow the installation instructions provided with your product.

The wiring diagram below is for basic fan operation. The switch can be a manual or a Thermal Switch.

- Make a temporary connection of the two wires from the motor to power and earth.
- Run the fan,
 - if it turns in the direction of the arrow, make the connections permanent.
 - if not swap the motor leads and make the connections permanent.



These installation instructions may suit most applications but there are circumstances surrounding some engine designs, environments, and the nature of the system involved, which may require other installation arrangements not outlined here. Frequently Asked Questions (FAQ) are listed on our website: www.daviescraig.com.au. Emails can be directed to info@daviescraig.com.au or +61 (0) 3 9369 1234 during business hours.



WARRANTY

Davies, Craig Pty Ltd warrants for a period of three years or 2000 hours continuous running (whichever is the lesser) from the date of purchase. Davies, Craig will carry out, free of cost, any repairs that are reasonably necessary to correct any fault in the operation of your Davies, Craig product provided that such a fault is directly attributable to a defect in the workmanship, or materials used in the manufacture of the part(s). This warranty is void if the product is misused, altered, tampered with, or is installed or used in a manner that is inconsistent with Davies, Craig's written recommendations and/or installation instructions. Labour and consequential costs are excluded. **DAVIES, CRAIG PTY. LTD.**

To make a warranty claim, go to: daviescraig.com.au/warranty