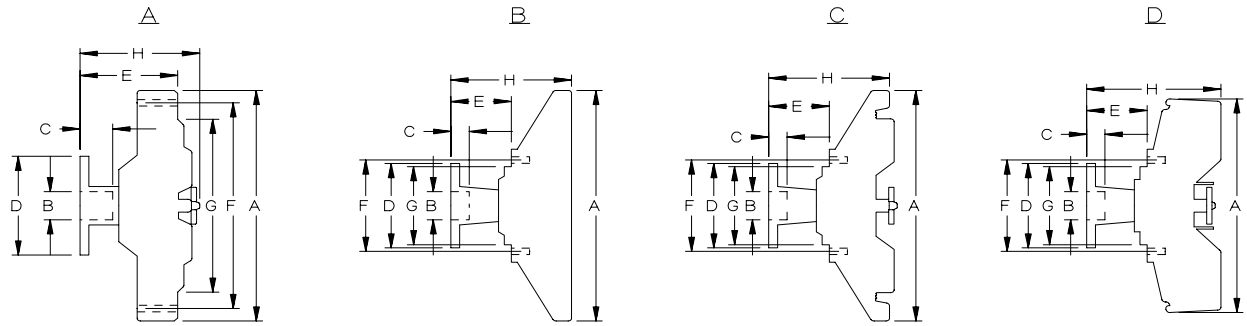


FAN CLUTCH -- MOUNTING

ALL DIMENSIONS IN MILLIMETRES UNLESS SPECIFIED

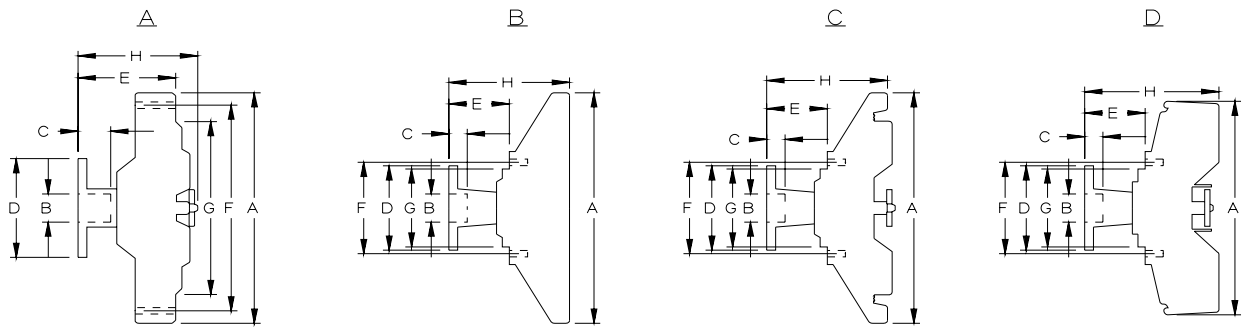


THERMAL

PART NO.	TYPE	ROTATION	OVERALL DIAM	PILOT DIAM	PILOT DEPTH	FLANGE CIRCLE	FAN MOUNT HEIGHT	FAN BOLT CIRCLE	FAN MOUNT DIAM	OVERALL HEIGHT	BOLT/NUT TYPE
			A	B	C	D	E	F	G	H	(Fan to Clutch)
2554	A	CW	148.6	16.0/24.4	19.1	78.0	49.8	121.9	103.9	62.2	6MM x 1.0 NUT
2556	A	CW	148.6	16.0/25.9	15.2	76.2	44.7	127.8	89.9	57.2	6MM x 1.0 BOLT
2557	A	CW	148.6	16.0	19.1	65.0	61.0	124.0	111.1	79.2	6MM x 1.0 BOLT
2558	A	CW	148.6	15.0/19.0	12.7	65.0	44.5	121.9	103.9	57.9	6MM x 1.0 NUT
2559	A	CW	148.6	16.0	22.4	57.9	54.6	121.9	103.9	67.8	6MM x 1.0 NUT
2561	A	CW	148.6	16.0/32.0	22.4	76.2	53.3	121.9	103.9	64.3	6MM x 1.0 NUT
2562	A	CW	142.0	16.0/24.1	23.6	68.1	40.6 REAR	129.5	111.8	68.6	6MM x 1.0 BOLT
2565	A	CW	148.6	16.0	12.7	57.9	46.0	121.9	103.9	58.4	6MM x 1.0 NUT
2567	A	CW	148.6	16.0	17.8	68.6	51.6	121.9	103.9	64.0	6MM x 1.0 NUT
2591	A	CW	137.9	LEFT HAND	THREAD ON	32.0mm A/F	35.1	124.0	111.1	51.0	6MM x 1.0 BOLT
2650	A	CW	157.5	16.0/32.0	19.8	76.2	59.9	143.5	128.8	74.9	6MM x 1.0 BOLT
2652	A	CW	168.9	17.5	14.0	76.2	54.4	153.2	136.9	70.1	6MM x 1.0 BOLT
2653	A	CW	168.9	16.0/25.7	22.9	78.0	62.0	135.9	103.9	77.0	6MM x 1.0 NUT
2654	A	CW	168.9	16.0/24.1	21.6	68.1	59.4	153.2	136.9	74.4	6MM x 1.0 BOLT
2655	A	CW	168.9	16.0/25.1	24.6	106.2	59.4	135.9	103.9	74.4	6MM x 1.0 NUT
2656	A	CCW	168.9	16.0/32.5	22.9	94.0	64.8	135.9	103.9	80.3	6MM x 1.0 NUT
2657	A	CW	168.9	16.0/25.7	22.9	78.0	62.0	135.9	103.9	77.0	6MM x 1.0 NUT
2659	A	CW	168.9	15.0	17.3	69.3	58.2	135.9	103.9	73.2	6MM x 1.0 NUT
2661	A	CW	168.9	16.0	21.1	78.0	72.4	135.9	103.9	87.4	6MM x 1.0 NUT
2691	A	CW	159.8	LEFT HAND	THREAD ON	32.0mm A/F	36.6	146.8	135.0	49.0	6MM x 1.0 BOLT
2705	B	CW	183.6	16.0	26.2	65.8	38.9	82.6	66.3	78.5	5/16-18 BOLT
2710	B	CW	183.6	16.0/19.1	19.1	59.2	44.5	76.2	59.9	84.6	5/16-18 BOLT
2712	B	CW	183.6	LEFT HAND	THREAD ON	32.0mm A/F	26.2	76.2	60.2	66.3	5/16-18 BOLT
2731	C	CW	183.6	16.0	26.2	61.2	57.2	82.6	66.3	101.5	5/16-18 BOLT
2733	C	CCW	183.6	16.0	26.2	65.8	44.5	82.6	66.3	91.4	5/16-18 BOLT
2747	C	CW	183.6	16.0/19.1	16.0	65.8	41.1	82.6	66.3	88.1	5/16-18 BOLT
2765	B	CW	183.6	16.0/19.1	14.2	58.9	27.7	82.6	66.3	67.8	5/16-18 BOLT
2772	B	CW	183.6	LEFT HAND	THREAD ON	32.0mm A/F	26.2	82.6	66.3	69.9	5/16-18 BOLT
2774	C	CCW	183.6	RIGHT HAND	THREAD ON	37.0mm A/F	31.8	82.6	66.3	75.7	5/16-18 BOLT
2783	D	CCW	163.8	16.0	16.0	65.5	45.7	82.6	66.3	98.8	5/16-18 BOLT
2796	D	CCW	163.8	16.0	16.0	62.5	41.4	82.6	66.3	94.2	5/16-18 BOLT
2799	D	CW	163.8	19.1	16.0	65.5	41.4	82.6	66.3	94.2	5/16-18 BOLT
2803	-	CW	152.5	BUSH - 23.5	-	-	-	100.0	85.5	32.0	7MM BOLT & NUT
2804	C	CW	152.5	LEFT HAND	THREAD ON	32.0mm A/F	22.0	100.0	85.5	62.0	5/16-18 BOLT
2805	C	CW	167.5	LEFT HAND	THREAD ON	32.0mm A/F	28.5	82.6	66.6	70.0	5/16-18 BOLT
2806	C	CCW	167.5	RIGHT HAND	THREAD ON	37.0mm A/F	28.5	82.6	66.6	70.0	5/16-18 BOLT
2807	C	CW	152.5	LEFT HAND	THREAD ON	32.0mm A/F	22.0	100.0	85.5	55.5	6MM x 1.0 BOLT
2808	C	CW	167.5	LEFT HAND	THREAD ON	32.0mm A/F	28.5	82.6	66.6	70.0	5/16-18 BOLT
2809	D	CCW	163.1	RIGHT HAND	THREAD ON	37.0mm A/F	27.5	82.6	66.6	80.5	5/16-18 BOLT
5001	A	CW	147.0	17.2/31.4	23.9	76.8	45.3	133.5	120.0	58.9	6MM x 1.0 BOLT
5014	A	CW	160.0	16.0	22.2	78.5	67.0	136.0	104.0	81.8	8MM
5038	A	CW	155.9	16.0/31.4	19.3	77.2	45.3	143.0	129.4	61.7	6MM x 1.0 BOLT
5053	A	CW	154.0	32.0	11.5	78.0	62.0	143.0	129.0	80.0	6MM x 1.0 BOLT
5072	A	CW	147.0	16.0/31.4	19.3	77.2	45.3	133.5	120.0	64.0	6MM x 1.0 BOLT

FAN CLUTCH -- MOUNTING

ALL DIMENSIONS IN MILLIMETRES UNLESS SPECIFIED



THERMAL

PART NO.	TYPE	ROTATION	OVERALL DIAM	PILOT DIAM	PILOT DEPTH	FLANGE CIRCLE	FAN MOUNT HEIGHT	FAN BOLT CIRCLE	FAN MOUNT DIAM	OVERALL HEIGHT	BOLT/NUT TYPE (Fan to Clutch)
			A	B	C	D	E	F	G	H	
5073	A	CW	155.9	16.0/31.4	19.0	77.2	45.3	143.0	129.4	68.4	6MM x 1.0 BOLT
5101	A	CW	136.0	16.0/TAPER	7.0/23.2	75.7	67.0	122.0	104.0	86.7	6MM x 1.0 NUT
5102	A	CW	135.7	16.0/TAPER	9.9/23.2	75.7	61.1	122.0	104.0	80.6	6MM x 1.0 NUT
5103	A	CW	136.0	16.0	22.5	58.0	53.0	122.0	104.0	73.0	6MM x 1.0 NUT
5104	A	CW	136.0	16.0/TAPER	12.0/21.5	76.0	51.0	122.0	104.0	70.7	6MM x 1.0 NUT
5105	A	CW	136.0	16.0/TAPER	9.0/23.0	76.6	49.0	122.0	104.0	68.5	6MM x 1.0 NUT
5106	A	CW	136.0	16.0/TAPER	9.2/23.2	75.5	48.8	122.0	104.0	68.5	6MM x 1.0 NUT
5107	A	CW	135.5	16.0/48.0	9.6/27.0	76.0	51.5	122.0	105.8	71.0	6MM x 1.0 NUT
5124	A	CW	160.0	16.0/TAPER	11.0/21.5	77.5	69.3	136.0	104.0	83.5	6MM x 1.0 NUT
5203	A	CW	147.0	15.6/31.4	10.9/18.7	77.0	45.3	133.5	120.0	58.4	6MM x 1.0 BOLT
5205	A	CW	147.0	15.6/31.4	10.9/18.7	77.0	45.5	133.5	120.0	58.5	6MM x 1.0 BOLT
5231	A	CW	147.0	13.7/24.8	7.4/16.6	66.0	50.0	133.5	120.0	63.2	6MM x 1.0 BOLT
5243	A	CW	147.8	15.6/31.4	10.9/18.7	77.0	45.5	133.5	120.0	58.4	6MM x 1.0 BOLT
5247	A	CW	148.6	14.2/24.9	7.4/16.6	65.5	56.1	133.9	120.0	68.8	6MM x 1.0 BOLT
5253	A	CW	147.4	15.6/31.4	10.9/18.7	77.0	45.6	133.5	120.0	58.5	6MM x 1.0 BOLT
5265	A	CW	156.0	15.6/31.4	10.9/18.7	77.2	55.0	142.6	129.0	78.6	6MM x 1.0 BOLT
5301	A	CW	170.3	24.0	12.0	70.0	61.5	152.5	137.1	75.4	6MM x 1.0 BOLT
5302	A	CW	135.0	32.0	23.2	73.0	55.0	122.0	104.0	74.5	6MM x 1.0 BOLT
5407	A	CW	127.5	16.0	18.0	58.0	46.7	112.0	89.8	70.0	6MM x 1.0 BOLT
5428	A	CW	134.0	16.0	19.0	70.0	59.0	122.0	104.0	80.2	6MM x 1.0 BOLT
5458	A	CW	165.0	16.0	26.5	76.0	68.8	136.0	104.0	87.6	6MM x 1.0 BOLT
5459	A	CW	168.9	18.0	9.6	147.0	37.3	153.0	136.9	54.0	6MM x 1.0 BOLT
5499	A	CW	165.1	16.0/TAPER	9.9/26.2	76.0	77.3	136.0	104.0	95.1	6MM x 1.0 BOLT

NON-THERMAL

2709	B	CW	184.2	LEFT HAND	THREAD ON	32.0mm A/F	25.9	82.6	66.3	67.1	5/16-18 BOLT
5408	B	CW	120.5	16.0/31.7	11.5/23.5	71.0	45.9	104.2	89.8	61.2	6MM x 1.0 BOLT
5468	B	CW	142.8	24.0	18.8	68.0	37.8	100.0	83.9	62.1	6MM x 1.0 BOLT